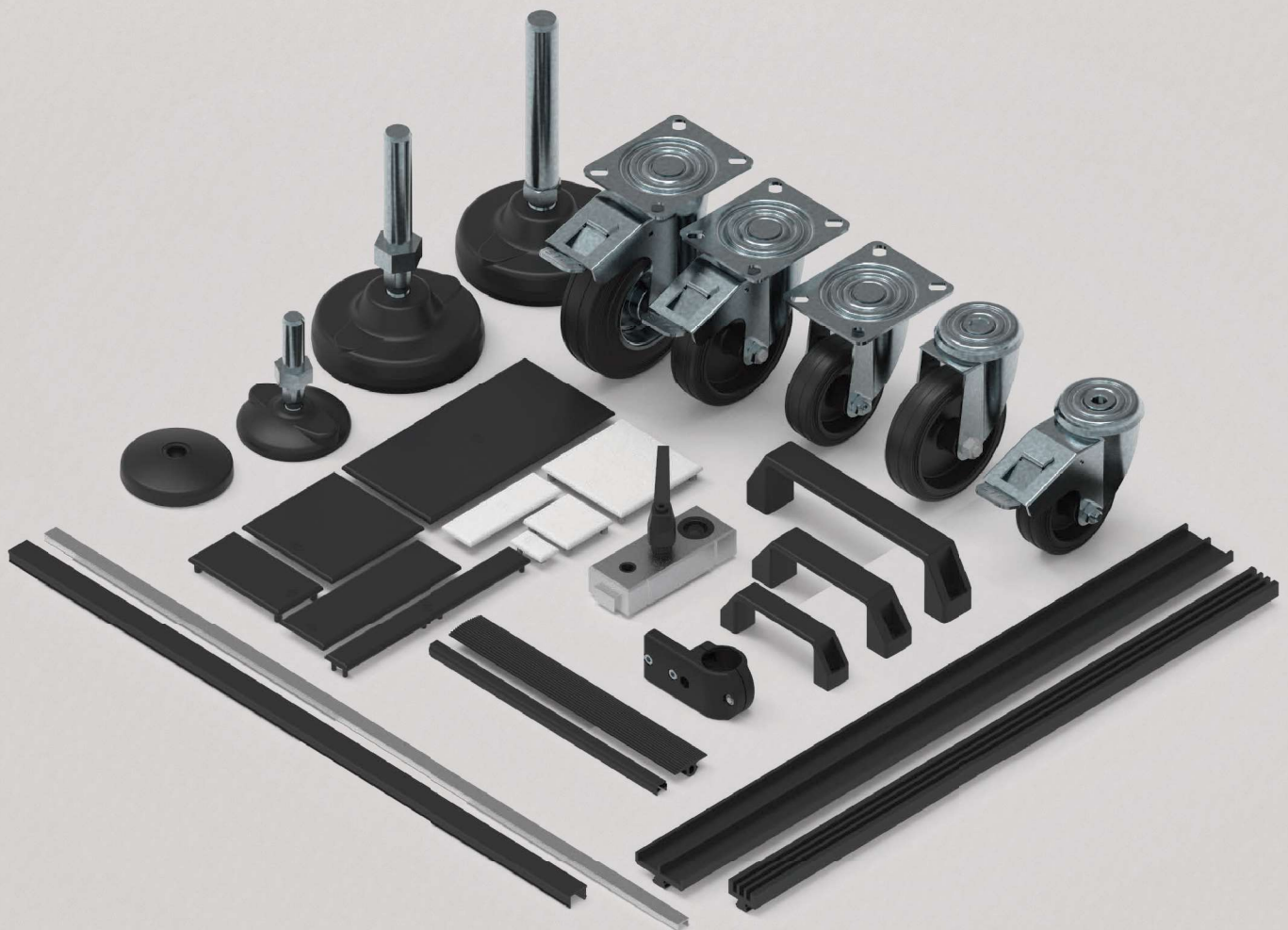


LIPRO








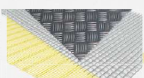



Pribor
Accessories
Accessori
Zubehör





Kazalo Index Indice Inhalt

Cover caps	88	
Cover profiles	89	
Gaskets for panels	90-92	
Cover-reduction profiles	92-93	
Sliding and protective profiles	93-98	
Different caster, Monitor mount	99-101	
Leveling feet	102-103	
Cover plates	104	
Rollers	105	
Blocks for panels	106-108	
Hinges, Hinges with levers	109-114	
Bridge handles	115-116	

	116-118	Locks
	118-119	Magnetic catches
	119-122	Roller, roller carrier
	123	Snap hook, Tool holder
	124-125	Sensor supports
	126	Security magnetic switch
	127	Steel, Inox sheet
	128-129	Anti-slip al. plate, Welded wire mesh
	130-131	PVC, Acrylics, Composite fillers
	132	Thread former
	132	Drilling devices



Pokrovi profilov



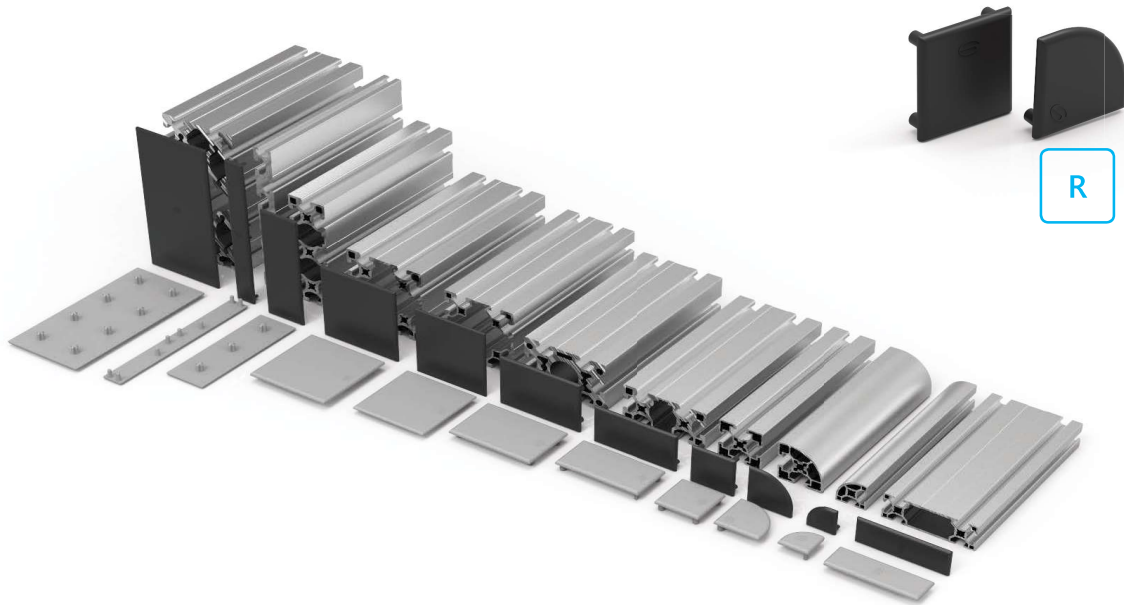
Tappi per profili



Cover caps



Abdeckkappen



PA6	Description	*		Code	
				A	B
	PA 18,5 X 32 4 mm	*	2g	12001	12127
	PA 30 X 30 4 mm	*	4g	12002	12128
	PA 30 X 30 4 mm R	*	4g	12003	12129
	PA 30 X 60 4 mm	*	8g	12004	12130
	PA 30 X 90 4 mm	*	11g	12005	12131
	PA 40 X 40 4 mm	*	7g	12124	12132
	PA 40 X 80 4 mm	*	14g	12143	12183
	PA 45 X 45 4 mm	*	10g	12006	12133
	PA 45 X 45 4 mm R	*	8g	12007	12134
	PA 45 X 60 4 mm	*	12g	12008	12135
	PA 45 X 90 4 mm	*	50g	12009	12136
	PA 45 X 135 4mm	*	25g	12010	12137
	PA 60 X 60 4 mm	*	14g	12011	12138
	PA 60 X 90 4 mm	*	22g	12012	12139
	PA 80 X 80 4 mm	*	28g	12144	12184
	PA 90 X 90 4 mm	*	34g	12013	12140
	PA 90 X 180 4 mm	*	74g	12014	12141
	PA 22,5 X 180 4 mm	*	16g	12015	12142

	A	B
Barva	Črna	Siva
Color	Black	Gray
Colore	Nero	Grigio
Farbe	Schwarz	Grau

* Ostale barve po naročilu
 Other colors upon request
 Altri colori a richiesta
 Andere Farben auf Bestellung



Profil pokrívni PA, AL



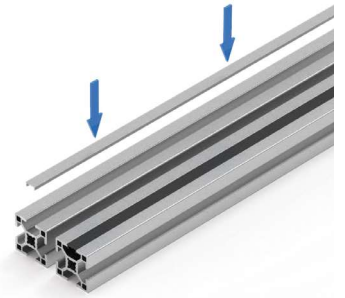
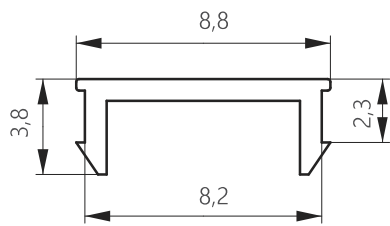
Profilo di copertura PA, AL



Cover profile PA, AL



Abdeckprofile PA, AL



Code

Description		Code
PA 2000 mm U8 black*	11g/m	12016
PA 2000 mm U8 gray*	11g/m	12017
AL 2000 mm U8 nature	43g/m	12101

*

Ostale barve po naračilu
Other colors upon request
Altri colori a richiesta
Andere Farben auf Bestellung



Profil pokrívni PA, AL



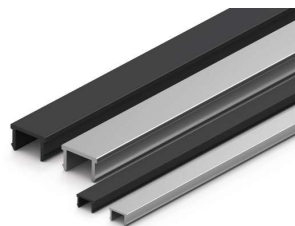
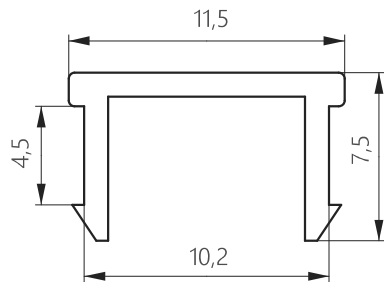
Profilo di copertura PA, AL



Cover profile PA, AL



Abdeckprofile PA, AL



Code

Description		Code
PA 2000 mm U10 black*	26g/m	12018
PA 2000 mm U10 gray*	26g/m	12019
AL 2000 mm U10 nature	60g/m	12100

*

Ostale barve po naračilu
Other colors upon request
Altri colori a richiesta
Andere Farben auf Bestellung



Profil pokrívni črn



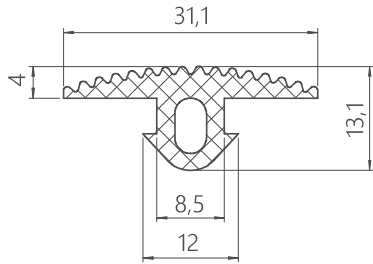
Profilo di copertura nero



Cover profile black



Abdeckprofil schwarz



Barva	Črna
Color	Black
Colore	Nero
Farbe	Schwarz



Description		Code	
Cover Profile black	206g/m	12115	



Guma za polnilo 1,5-2



Guarnizione per pannelli 1,5-2



Gasket for panels 1,5-2



Einfassprofil 1,5-2



Barva	Črna
Color	Black
Colore	Nero
Farbe	Schwarz



Description		Code	
Gasket for panels 1,5-2 mm	112g/m	12020	

	Guma za polnilo 3-7		Guarnizione per pannelli 3-7
	Gasket for panels 3-7		Einfassprofil 3-7



Barva	Črna
Color	Black
Colore	Nero
Farbe	Schwarz

			Code
		Description	
	8	Gasket for panels 3-5 mm	45g/m 12021
	10	Gasket for panels 5-7 mm	45g/m 12021

	Guma za polnilo 1-5		Guarnizione per pannelli 1-5
	Gasket for panels 1-5		Einfassprofil 1-5



Barva	Črna
Color	Black
Colore	Nero
Farbe	Schwarz

			Code
		Description	
	8	Gasket for panels 1-3 mm	72g/m 12022
	10	Gasket for panels 3-5 mm	72g/m 12022



Guma za polnilo 6-8



Guarnizione per pannelli 6-8



Gasket for panels 6-8



Einfassprofil 6-8



Barva	Črna
Color	Black
Colore	Nero
Farbe	Schwarz



8

Description

Gasket for panels 6 mm

25g/m

Code

12023

10

Gasket for panels 8 mm

25g/m

12023



Profil pokrivni/reducirni 2-6



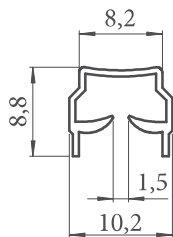
Profilo di copertura/riduzione 2-6



Cover profile/reduction 2-6



Abdeck-und Einfassprofil 2-6



Barva	Črna
Color	Black
Colore	Nero
Farbe	Schwarz



Description

Gasket for panels 2-6 mm



20g/m

Code

12024



Profil pokrívni/reducirni 2-8



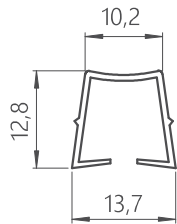
Profilo di copertura/riduzione 2-8



Cover profile/reduction 2-8



Abdeck-und Einfassprofil 2-8



Barva	Črna
Color	Black
Colore	Nero
Farbe	Schwarz



		Code	
Description	Gasket for panels 2-8 mm	29g/m	
			12025



Profil vodilni U8/U8



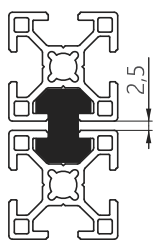
Profilo di scorrimento C8/C8



Profile slider U8/U8



Profingleiter U8/U8



Barva	Črna
Color	Black
Colore	Nero
Farbe	Schwarz



		Code	
Description	Profile slider L=2000 mm	200g/m	
			12026



Profil vodilni U8/U10



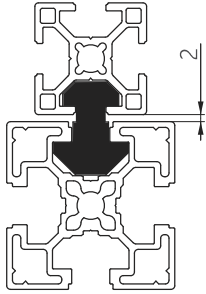
Profilo di scorrimento C8/C10



Profile slider U8/U10



Profilgleiter U8/U10



Barva	Črna
Color	Black
Colore	Nero
Farbe	Schwarz

	Description		Code
			Profile slider L=2000 mm



Profil vodilni U10/U10



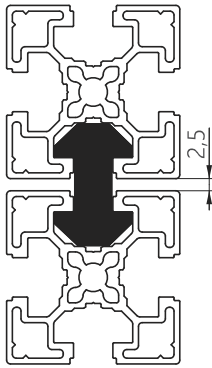
Profilo di scorrimento C10/C10



Profile slider U10/U10



Profilgleiter U10/U10



Barva	Črna
Color	Black
Colore	Nero
Farbe	Schwarz

	Description		Code
			Profile slider L=2000 mm



Profil vodilni 2x19,5 U8/U10



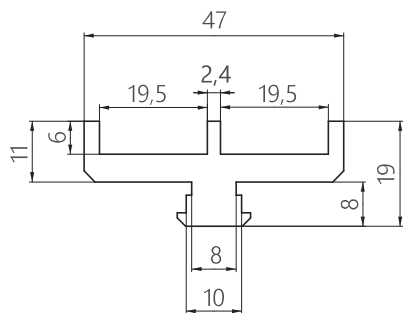
Profilo di scorrimento 2x19,5 C8/C10



Profile slider 2x19,5 U8/U10



Profilgleiter 2x19,5 U8/U10



Barva	Črna
Color	Black
Colore	Nero
Farbe	Schwarz



Description		Code
Profile slider 2x19,5 L=2000 mm	339g/m	12029

Za profil 18,5 x 32 | For profile 18,5 x 32 | Per profilo 18,5 x 32 | Für Profil 18,5 x 32

21



Profil vodilni 2x9 U8/U10



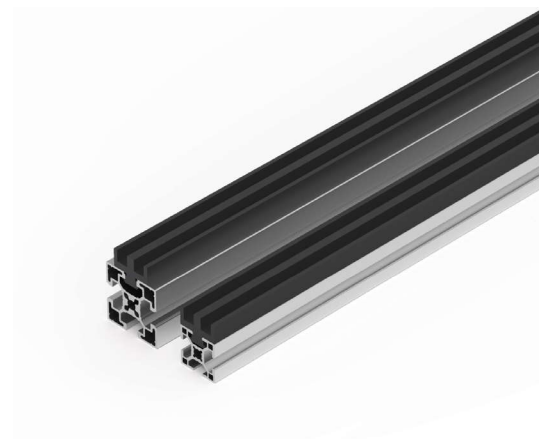
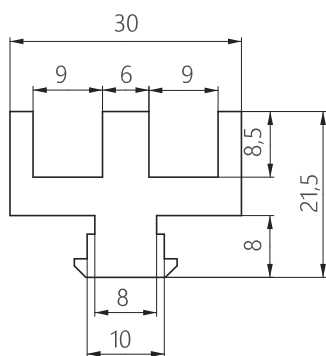
Profilo di scorrimento 2x9 U8/U10



Profile slider 2x9 U8/U10



Profilgleiter 2x9 U8/U10



Barva	Črna
Color	Black
Colore	Nero
Farbe	Schwarz



Description		Code
Profile slider 2x9 L=2000 mm	315g/m	12030



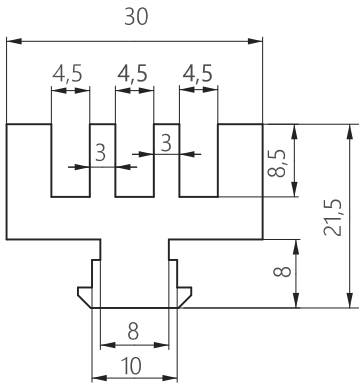
Profil vodilni 3x4,5

Profile slider 3x4,5



Profilo di scorrimento 3x4,5

Profilgleiter 3x4,5



Barva	Črna
Color	Black
Colore	Nero
Farbe	Schwarz



Description		Code
Profile slider 3x4,5 L=2000 mm	361g/m	12031



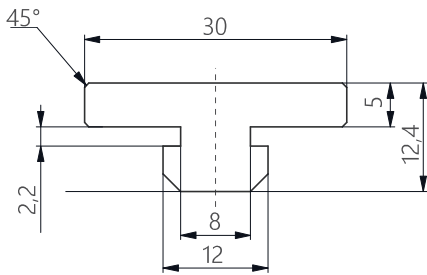
Zaščitni profil 30 U8

Protective profile 30 U8



Profilo protettivo 30 U8

Schutzprofil 30 U8



Barva	Črna
Color	Black
Colore	Nero
Farbe	Schwarz



Description		Code
Protective profile 30 U8 L=2000 mm	400g/m	12195



Zaštitni profil 45 U10



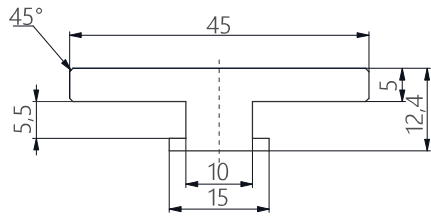
Profilo protettivo 45 U10



Protective profile 45 U10



Schutzprofil 45 U10



Barva	Črna
Color	Black
Colore	Nero
Farbe	Schwarz



Description		Code	
Protective profile 45 U10 L=2000 mm	296g/m		12194



Drsní profil U8/U8



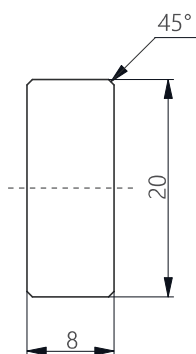
Profilo di scorimento U8/U8



Sliding profile U8/U8



Gleitprofil U8/U8



Barva	Črna
Color	Black
Colore	Nero
Farbe	Schwarz



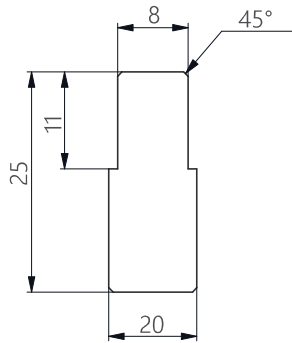
Description		Code	
Sliding profile U8/U8 L=2000 mm	190g/m		12198



Drsní profil U8/U10
Sliding profile U8/U10



Profilo di scorrimento U8/U10
Gleitprofil U8/U10



Barva	Črna
Color	Black
Colore	Nero
Farbe	Schwarz



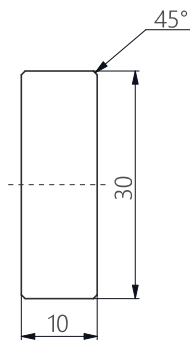
Description		Code	
Sliding profile U8/U10 L=2000 mm	260g/m		12197



Drsní profil U10/U10
Sliding profile U10/U10



Profilo di scorrimento U10/U10
Gleitprofil U10/U10

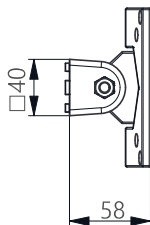
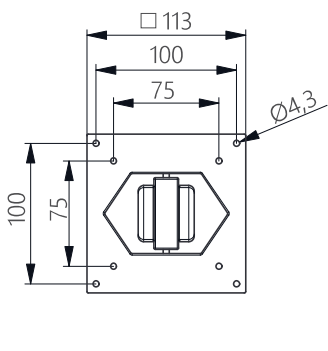


Barva	Črna
Color	Black
Colore	Nero
Farbe	Schwarz



Description		Code	
Sliding profile U10/U10 L=2000 mm	340g/m		12196

	Nosilec zaslona		Supporto monitor
	Monitor mount		Monitorhalter

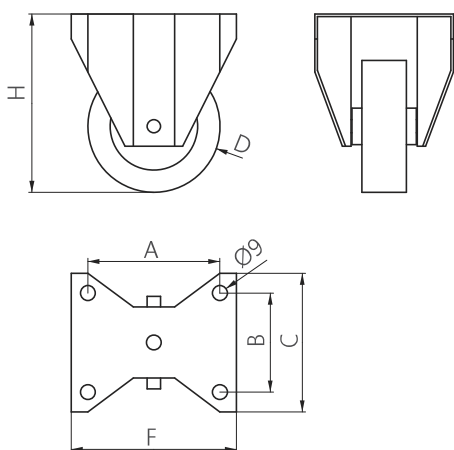


Barva	Črna
Color	Black
Colore	Nero
Farbe	Schwarz

PA Fe 8/10

		Code	
Description			
Monitor mount	200g/m	12199	

	Kolesa fiksna		Ruote fisse
	Fixed Casters		Bockrollen



											Code		
Material	kolo z gumo			D	A	B	C	F	H	Max load [N]			
Material	rubber wheel			8	80	80	60	84	100	108	500	466g	12032
Materiale	ruota in gomma			8	100	80	60	84	100	127	700	590g	12033
Material	Gummirad			10	125	80	60	84	100	155	1000	840g	12034

Ostali modeli po naročilu | Other models on request | Altri modelli a richiesta | Andere Modelle auf Bestellung



Kolesa vrtljiva s prirobnico



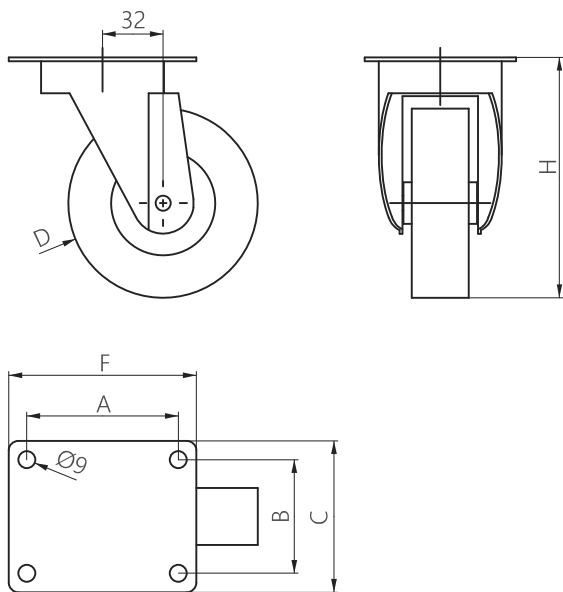
Ruote pivottanti con flangia



Swivel casters with flange



Lenkrolle mit Flansch



Code

Zn Fe	8/10	D	A	B	C	F	H	Type*	Max load [N]	Weight	Code
		80	75	60	80	95	108	BZ	500	564g	12035
		80	75	60	80	95	108	ZZ	500	666g	12036
		100	75	60	80	95	127	BZ	700	679g	12037
		100	75	60	80	95	127	ZZ	700	796g	12038
		125	75	60	80	95	155	BZ	1000	956g	12039
		125	75	60	80	95	155	ZZ	1000	1060g	12040

Material	kolo z gumo
Material	rubber wheel
Materiale	ruota in gomma
Material	Gummirad

* BZ - brez zavore / ZZ - z zavoro | BZ - without brake / ZZ - with brake
 BZ - senza freno / ZZ - con freno | BZ - ohne Bremse / ZZ - mit Bremse

Ostali modeli po naročilu | Other models on request | Altri modelli a richiesta | Andere Modelle auf Bestellung



Kolesa vrtljiva



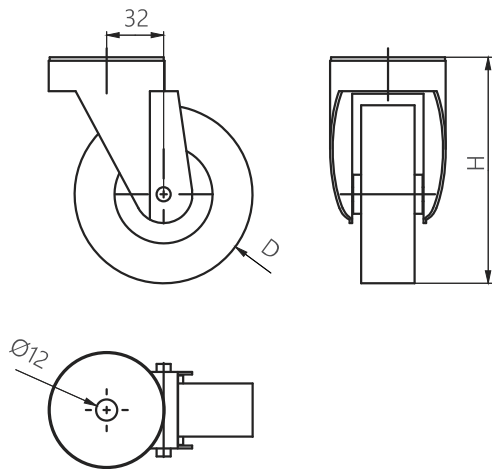
Ruote pivottanti



Swivel casters



Lenkrolle



Code

Zn Fe	8/10	D	H	Type*	Max load [N]		
		80	108	BZ	500	486g	12041
		80	108	ZZ	500	592g	12042
		100	127	BZ	700	607g	12043
		100	127	ZZ	700	720g	12044
		125	155	BZ	1000	889g	12045
		125	155	ZZ	1000	1017g	12046

Material	kolo z gumo
Material	rubber wheel
Materiale	ruota in gomma
Material	Gummirad

Assembly components - sold separately				Code
1	Cylinder head screw M8x40	40		11010
2	Washer	44		11054

* BZ - brez zavore / ZZ - z zavoro | BZ - without brake / ZZ - with brake
 BZ - senza freno / ZZ - con freno | BZ - ohne Bremse / ZZ - mit Bremse

Ostali modeli po naročilu | Other models on request | Altri modelli a richiesta | Andere Modelle auf Bestellung



Noga nastavljiva



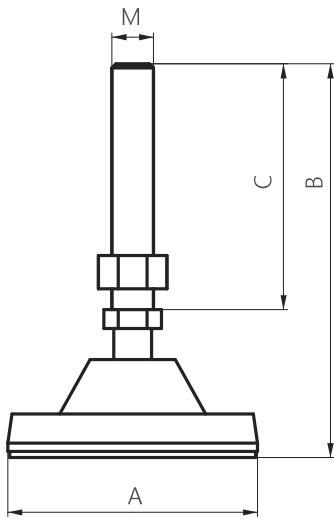
Piedini livellanti



Pivot feet



Gelenkfüße



Code

				A	B	C	M	Max load [N]		Code
				40	75	50	8	10000	44g	12047
				50	75	50	8	11000	52g	12048
				50	75	50	10	12000	66g	12049
				80	104	70	10	14000	118g	12050
				80	109	73	12	15000	146g	12051
				80	101	68	16	19000	199g	12052
				120	167	105	16	25000	600g	12053
				120	189	118	20	27000	581g	12054
				120	210	140	24	29000	772g	12055

Ostali modeli po naročilu | Other models on request | Altri modelli a richiesta | Andere Modelle auf Bestellung



Noga nastavljiva



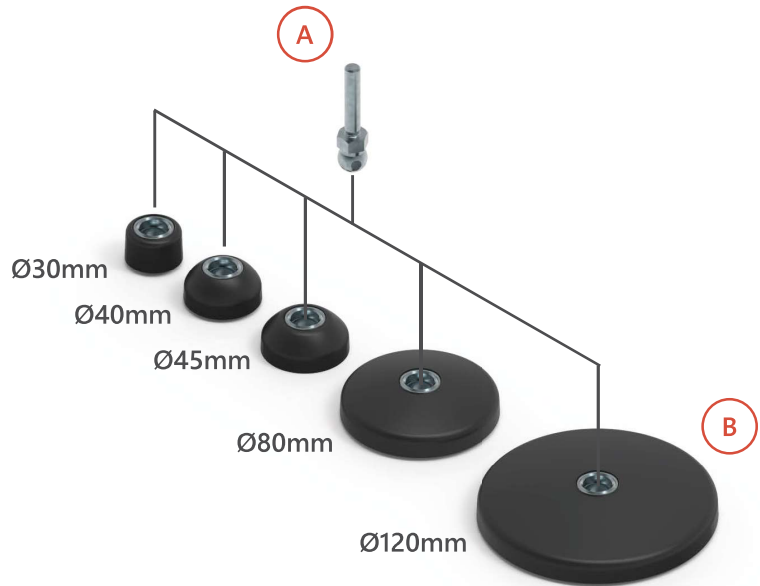
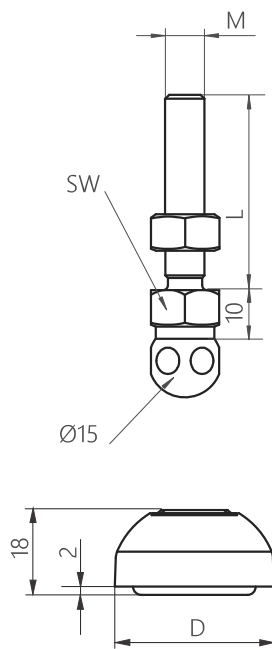
Piedini livellanti



Pivot feet



Gelenkfüsse



						Code	
Zn Fe	L [mm]	SW [mm]	M	Max load [N]			
	40	14	8	3500	36g	12145	
	80	14	8	3500	49g	12146	
	70	14	10	4700	55g	12147	
	100	14	12	7700	94g	12148	
	100	17	16	14500	156g	12149	
	125	22	20	24300	297g	12150	

					Code	
Zn Fe		D	Max load [N]			
		30	3500	50g	12151	
		40	3500	74g	12152	
		45	4700	92g	12153	
		80	7700	218g	12154	
		120	14500	440g	12155	

Barva	Črna
Color	Black
Colore	Nero
Farbe	Schwarz

Ostali modeli po naročilu | Other models on request | Altri modelli a richiesta | Andere Modelle auf Bestellung



Plošča zaključna



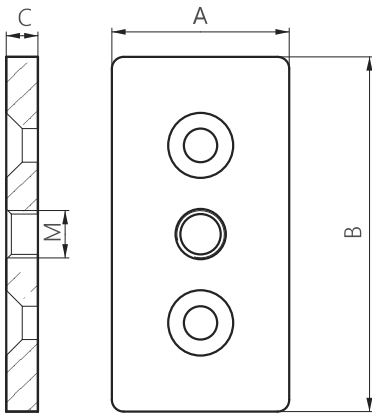
Piastra terminale



Cover plate



Abschlussplatte



1 2/4



Code

Zn Fe	8/10	A	B	C	M		Code
		30	60	8	8	92g	12114
		30	60	8	12	92g	12056
		30	90	8	12	196g	12057
		40	80	8	12	300g	12162
		45	90	8	12	231g	12058
		45	90	8	16	500g	12059
		60	90	8	12	314g	12060
		60	90	8	16	304g	12061
		80	80	8	16	400g	12188
		90	90	8	16	468g	12062
		90	90	8	20	460g	12063

Assembly components - sold separately

Code

1

Countersunk screw M8x25



41

11029



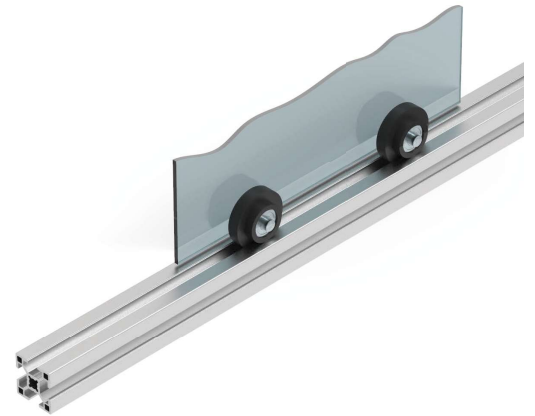
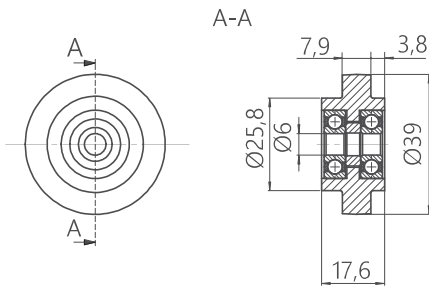
Kolo vodilno U8

Roller U8



Rotella di supporto C8

Rolle U8



		Code	
PA6	8	Description	
		Roller U8	30g 12064



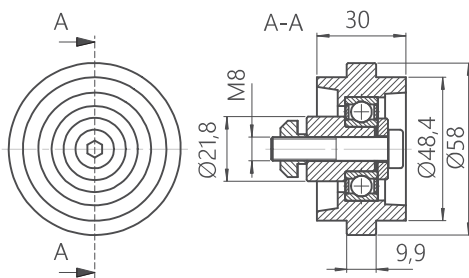
Kolo vodilno U10

Roller U10



Rotella di supporto C10

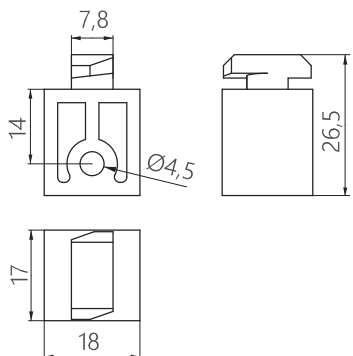
Rolle U10



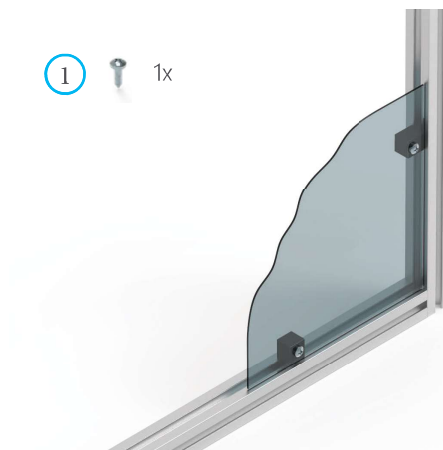
		Code	
PA6	10	Description	
		Roller U10	153g 12065



 Nosilec polnila U8
 Block for panel U8


 Blocco per pannelli C8
 Uniblock U8



①  1x

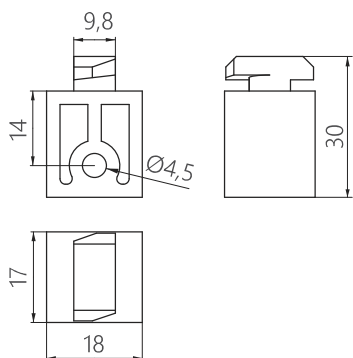


		Code	
PA6		Description	
		Uniblock U8	6g 12066

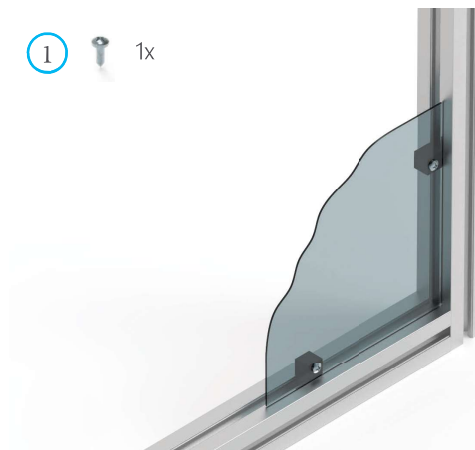
Assembly components - sold separately			Code
①	Self tapping screw 5,5x19	 41	11036

 Nosilec polnila U10
 Block for panel U10


 Blocco per pannelli C10
 Uniblock U10



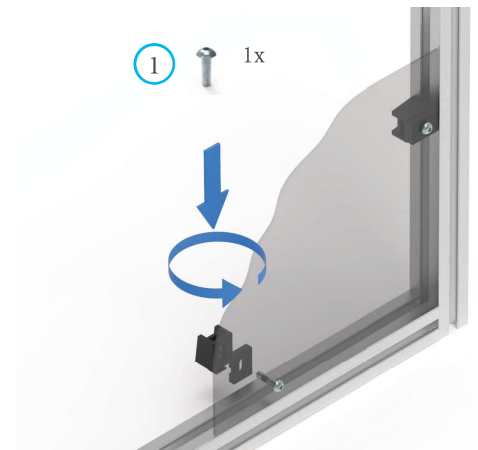
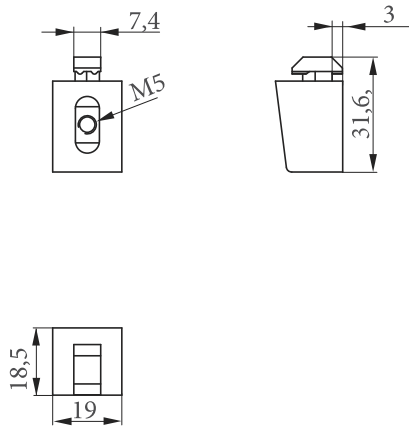
①  1x



		Code	
PA6		Description	
		Uniblock U10	7g 12067

Assembly components - sold separately			Code
①	Self tapping screw 5,5x19	 41	11036

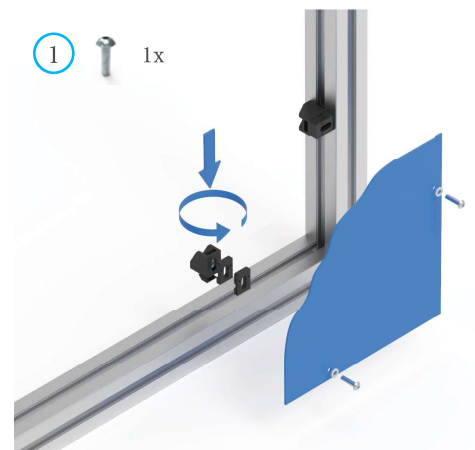
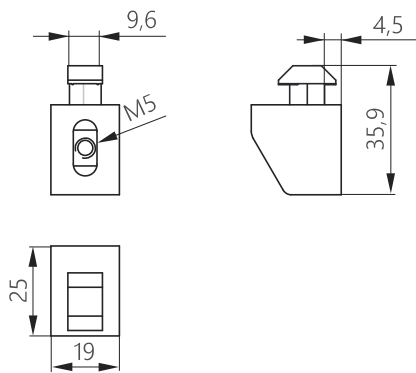
	Nosilec polnila M5 U8		Blocco per pannelli M5 C8
	Block for panel M5 U8		Uniblock M5 U8



PA6			Code
Description			
Uniblock M5 U8		10g	12189

Assembly components - sold separately			Code
1	Round-headed screw M5x16	40	11013

	Nosilec polnila M5 U10		Blocco per pannelli M5 C10
	Block for panel M5 U10		Uniblock M5 U10



PA6			Code
Description			
Uniblock M5 U8		20g	12190

Assembly components - sold separately			Code
1	Round-headed screw M5x25	40	11015



Distančník panela 2-5



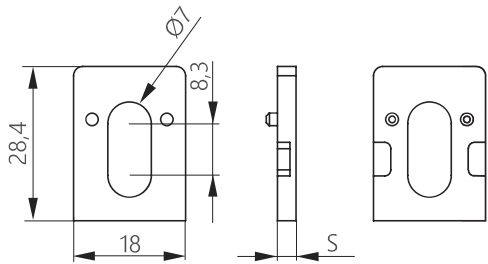
Distanziale per blocco pannelli 2-5



Panel spacer 2-5



Distanzstück 2-5



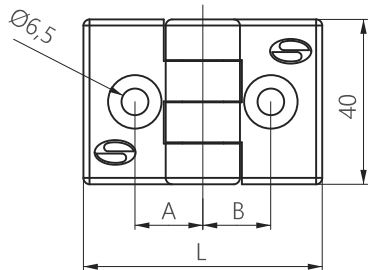
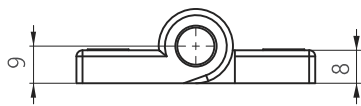
		Code	
PA6	8/10	Description	
		Panel spacer 2 mm	2g 12191
		Panel spacer 3 mm	4g 12192
		Panel spacer 5 mm	4g 12193



Tečaj PA
Hinge PA



Cerniera PA
Scharnier PA



- ① 2x
- ② 2x



						Code	
PA6		A	B	L	For Profile		
		17	17	58	30 x 30	45g	12068

		Assembly components - sold separately				Code
8	①	Countersunk screw M6x16			41	11027
8	②	Hammer nut M6 U8			45	11057

						Code	
PA6		A	B	L	For profile		
		17	24,5	74	30 x 45	48g	12069
		17	32	89	30 x 60	50g	12070

		Assembly components - sold separately				Code
8	①	Countersunk screw M6x16			41	11027
8	②	Hammer nut M6 U8			45	11057
10	①	Countersunk screw M6x20			41	11028
10	②	Hammer nut M6 U10			45	11060

						Code	
PA6		A	B	L	For profile		
		24,5	24,5	90	45 x 45	52g	12071
		24,5	32	105	45 x 60	54g	12072
		32	32	120	60 x 60	54g	12099

		Assembly components - sold separately				Code
10	①	Countersunk screw M6x20			41	11028
10	②	Hammer nut M6 U10			45	11060



Tečaj z ročico



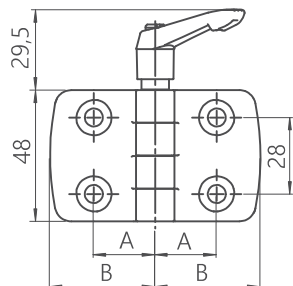
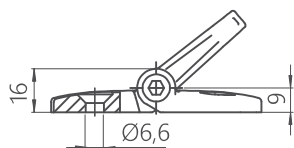
Cerniera con maniglia



Combi hinge with locking lever



Scharnier mit Aretierung



① 4x

② 4x



					Code	
PA6		A	B	For profile		
		17,5	29,5	30 x 30	50g	12073

		Assembly components - sold separately			Code
8	①	Countersunk screw M6x12		41	11162
8	②	Hammer nut M6 U8		45	11057

					Code	
PA6		A	B	For profile		
		22,5	38,5	40 x 40	57g	12117
		25	43,5	45 x 45	60g	12074
		32,5	57,5	60 x 60	69g	12075

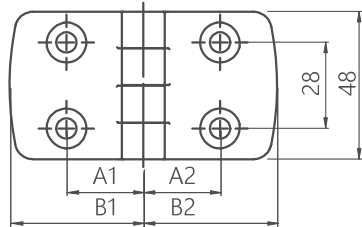
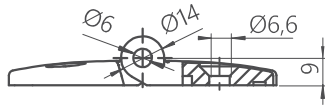
		Assembly components - sold separately			Code
10	①	Countersunk screw M6x16		41	11027
10	②	Hammer nut M6 U10		45	11060



Tečaj PA
Hinge PA



Cerniera PA
Scharnier PA



- 1 4x
- 2 4x



						Code	
PA6	8/8	A1	A2	B1	B2	For profile	
		17,5	17,5	29,5	29,5	30 x 30	36g
							12102



		Assembly components - sold separately			Code
8	1	Countersunk screw M6x12		41	11162
8	2	Hammer nut M6 U8		45	11057



						Code	
PA6	8/10	A1	A2	B1	B2	For profile	
		17,5	22,5	29,5	38,5	30 x 40	57g
		17,5	25	29,5	43,5	30 x 45	40g
		17,5	32,5	29,5	57,5	30 x 60	46g
							12118
							12103
							12104

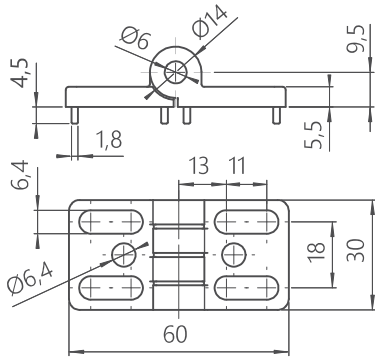
		Assembly components - sold separately			Code
8	1	Countersunk screw M6x12		41	11162
8	2	Hammer nut M6 U8		45	11057
10	1	Countersunk screw M6x16		41	11027
10	2	Hammer nut M6 U10		45	11060

						Code	
PA6	10/10	A1	A2	B1	B2	For profile	
		22,5	22,5	38,5	38,5	40 x 40	57g
		22,5	32,5	38,5	57,5	40 x 60	44g
		25	22,5	43,5	38,5	45 x 40	47g
		25	25	43,5	43,5	45 x 45	46g
		25	32,5	43,5	57,5	45 x 60	50g
		32,5	32,5	57,5	57,5	60 x 60	56g
							12119
							12120
							12121
							12105
							12106
							12107

		Assembly components - sold separately			Code
10	1	Countersunk screw M6x16		41	11027
10	2	Hammer nut M6 U10		45	11060

 Tečaj cinkova zlitina U8/U8 / U8/U10
 Hinge die-cast zinc U8/U8 / U8/U10

 Cerniera zama C8/C8 / C8/C10
 Zinkdruckguss-Scharnier U8/U8 / U8/U10







- ① 4x
- ② 4x

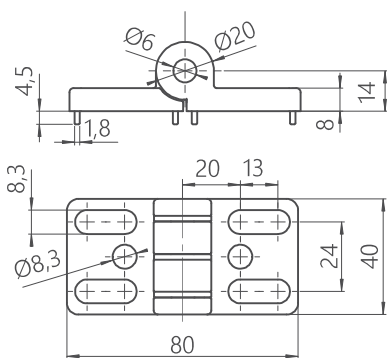


			Code	
Zn	8/8	8/10	For profile	
	8/8		30 x 30	71g 12108
		8/10	30 x 40	71g 12108

		Assembly components - sold separately	Code
8	①	Round-headed screw M6x12	40 11017
8	②	Hammer nut M6 U8	45 11057
10	①	Round-headed screw M6x16	40 11018
10	②	Hammer nut M6 U10	45 11060

 Tečaj cinkova zlitina U10/U10
 Hinge die-cast zinc U10/U10

 Cerniera Zama C10/C10
 Zinkdruckguss-Scharnier U10/U10



- ① 4x
- ② 4x



			Code	
Zn	8/10		For profile	
	10/10		30 x 45 40 x 40 40 x 45 45 x 45 40 x 60 45 x 60 60 x 60	180g 12110

		Assembly components - sold separately	Code
10	①	Round-headed screw M8x20	40 11023
10	②	Hammer nut M8 U10	45 11061



Tečaj cinkova zlitina U10/U10



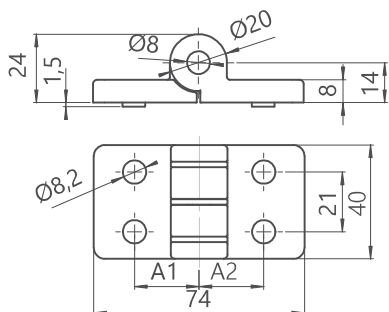
Hinge die-cast zinc U10/U10



Cerniera Zama C10/C10



Zinkdruckguss-Scharnier U10/U10



① 4x

② 4x



						Code
Zn	10/10	A1	A2	For profile		
		22,5	22,5	40 x 40	189g	12122
		22,5	25	40 x 45	189g	12123
		25	25	45 x 45	189g	12113

		Assembly components - sold separately			Code
10	①	Round-head screw M8x20	40	11023	
10	②	Hammer nut M8 U10	45	11061	



Tečaj - sestavni deli



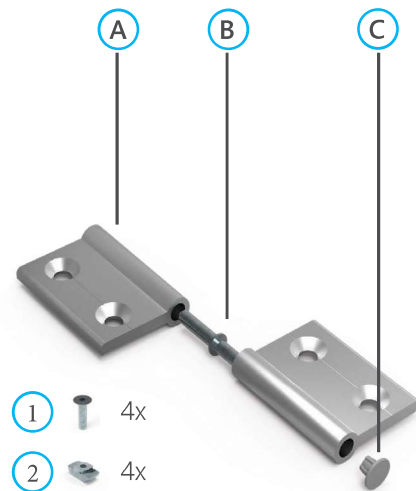
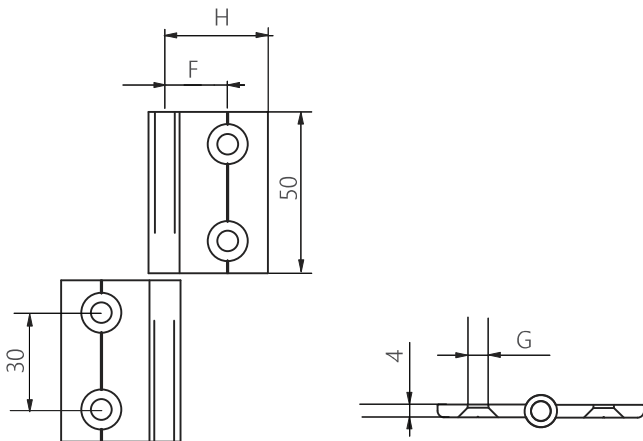
Cerniera - componenti



Hinge - components



Scharnier - Komponenten



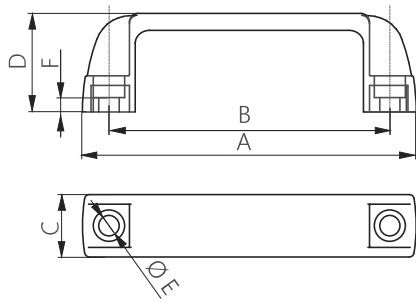
Code

		Description	F {mm}	G {mm}	H {mm}	Fa max {N}	For Profile		Code	
	8/8	Hinge - component 1pcs.	19,5	Ø6,4	32	150	30	20g	12156	
	10/10		25	Ø6,4	42	150	40	25.3g	12157	
	10/10		(A)	27	Ø6,4	47	150	45	28g	12158
	10/10		34,5	Ø6,4	62	150	60	36g	12159	
		(B)	Axle			Ø6	-	-	12g	12160
		(C)	Cover Cap			Ø10	-	-	0,15g	12161

		Assembly components - sold separately		Code
8	(1)	Countersunk screw M6x12	41	11162
8	(2)	Hammer nut M6 U8	45	11057
10	(1)	Countersunk screw M6x16	41	11027
10	(2)	Hammer nut M6 U10	45	11060



	Ročaj		Maniglia
	Bridge handle		Bügelgriff



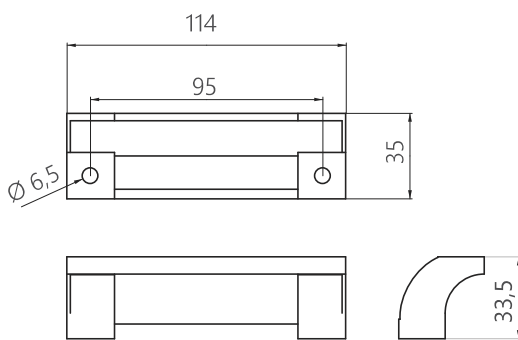
- 1 2x
- 2 2x



PA6	8/10	A	B	C	D	ØE	F		Code	
		8	112	93,5	21	36	6,5	6	24g	12076
		10	139	117	26	41	8,5	8,5	35g	12077
		10	204	179	28	50	8,5	8,5	56g	12078

	For		Assembly components - sold separately	Code
8	12076	1	Cylinder head screw M6x14	40 11003
8		2	Hammer nut M6 U8	45 11057
8	12077	1	Cylinder head screw M8x16	40 11007
8	12078	2	Square nut M6 U8	46 11064
10	12077	1	Cylinder head screw M8x20	40 11008
10	12078	2	Hammer nut M8 U10	45 11061

	Ročaj zaprt		Maniglia chiusa
	Closed handle		Bügelgriff geschlossen



- 1 2x
- 2 2x



PA6	10/10	Description		Code
		Closed handle	34g	12079

	For		Assembly components - sold separately	Code
8	1		Cylinder head screw M6x14	40 11003
8	2		Hammer nut M6 U8	45 11057
10	1		Cylinder head screw M6x16	40 11004
10	2		Hammer nut M6 U10	45 11060



Ročaj



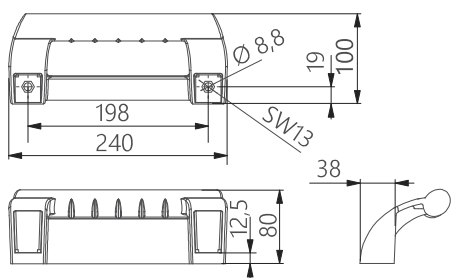
Maniglia



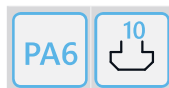
Bridge handle



Bügelgriff



- 1 2x
- 2 2x



Description		Code
Bridge handle		12080

Assembly components - sold separately		Code
10	1 Cylinder head screw M8x20	11008
10	2 Hammer nut M8 U10	11061



Kljuka s klj. univerzalna



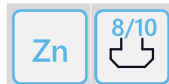
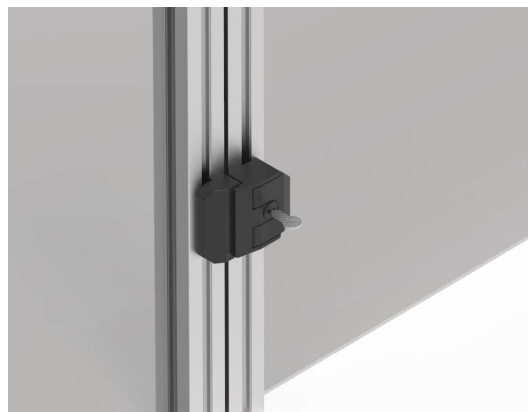
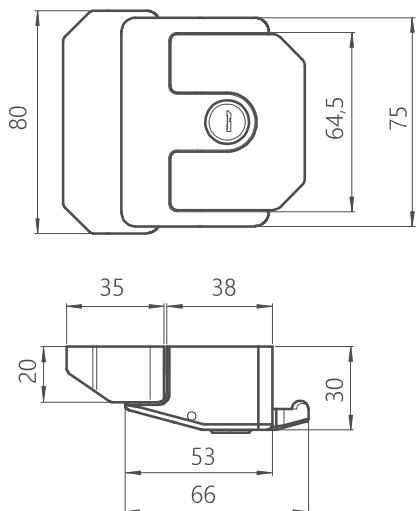
Maniglia con serr. universale



Slam latch universal



Fallenschloss universell



Description		Code
Slam latch universal		12081



Ključavnica vgradna



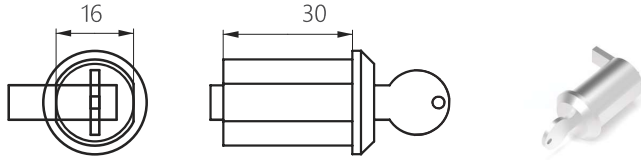
Serratura



Cylinder lock



Zylinderschloss



		Code	
		Description	
		Cylinder lock	56g
			12082



Ključavnica



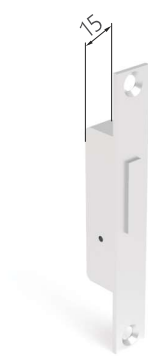
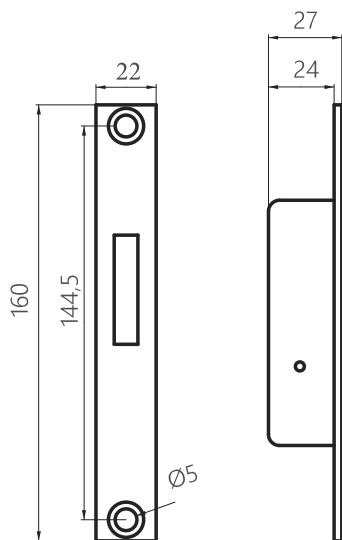
Serratura



Lock



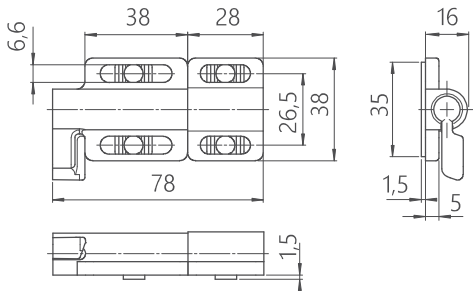
Schloss



		Code	
		Description	
		Lock	302g
			12083

 | Zapiralo
 | Door latch

 | Chiavistello
 | Türverriegelung



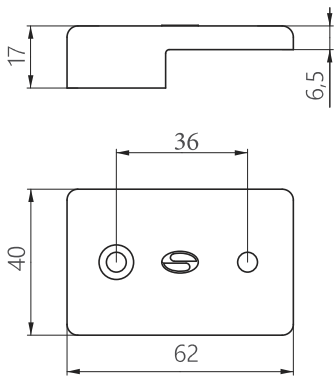
- ① 4x
- ② 4x



		Code	
Zn	8/10	Description	
		Door latch	114g 12084
Assembly components - sold separately			Code
8	①	Round-head screw M6x12	40 11017
8	②	Hammer nut M6 U8	45 11057
10	①	Round-head screw M6x16	40 11018
10	②	Hammer nut M6 U10	45 11060

 | Magnet
 | Magnetic catch

 | Chiusura magnetica
 | Magnetschnapper



		Code	
PA6	8/8	For profiles	
	8/8	30 x 30	78g 12085
	8/10	30 x 40	124g 12125
	8/10	30 x 45	48g 12086
	10/10	40x40 45x45	90g 12087
	10/10	40 x 45	124g 12126



Magnet univerzalni



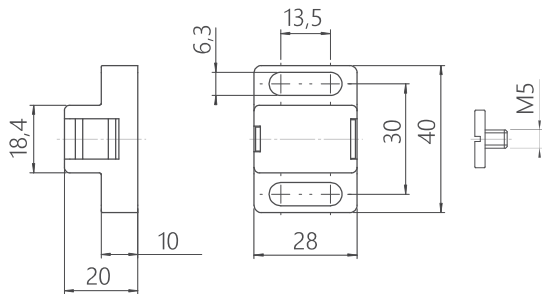
Magnetic catch universal



Magnete universale

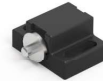


Magnetschnapper universell



1 2x

2 2x



Code



Description



Magnetic catch universal

36g

12088

		Assembly components - sold separately		Code
8	1	Round-head screw M6x16	40	11018
8	2	Hammer nut M6 U8	45	11057
10	1	Round-head screw M6x20	40	11019
10	2	Hammer nut M6 U10	45	11060



Nosilec valja



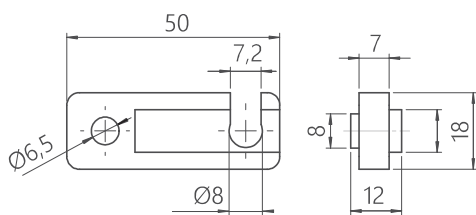
Roller carrier



Staffa per rulli



Rollenträger



1 1x

2 1x



Code



Description



Roller carrier

8g

12089

		Assembly components - sold separately		Code
8	1	Round-head screw M6x16	40	11018
8	2	Hammer nut M6 U8	45	11057
10	1	Round-head screw M6x20	40	11019
10	2	Hammer nut M6 U10	45	11060

	Transportni valji		Rulli per trasportatori
	Conveyor rollers		Transporthrollen



Types of Rollers	- Gravity rollers
	- Driven rollers
Material	- Galvanized steel
	- PVC coating
Application	- for in-plant conveyors systems

All roller versions are equipped with ball bearings.

Ø Tube mm	Max. load capacity in N for gravity rollers and fixed drive with an instalation length of mm							
	200 mm	300 mm	400 mm	600 mm	800 mm	1000 mm	1300 mm	1600 mm
50x1,5	2000 N	2000 N	1740 N	1160 N	870 N	700 N	580 N	460 N
60x2	2000 N	2000 N	1800 N	1200 N	920 N	760 N	620 N	520 N

Ø Tube mm	Max. load capacity in N for driven rollers with friction
50x1,5	Max 500 N
60x2	



Negnani valj



Rullo a gravità



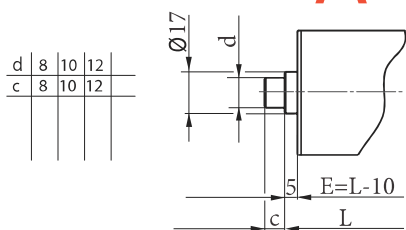
Gravity roller



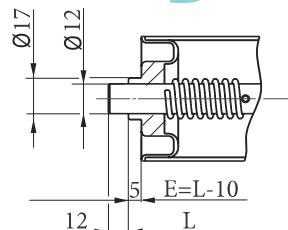
Nicht angetriebene Rolle

Extended axle

A



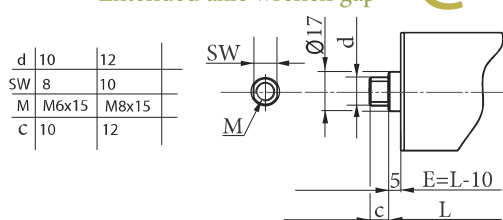
B



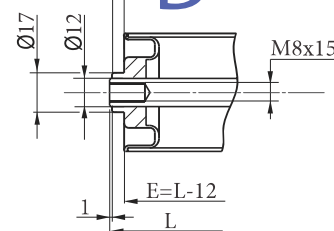
Extended axle with spring
-axle diameter: 12mm

Extended axle wrench gap

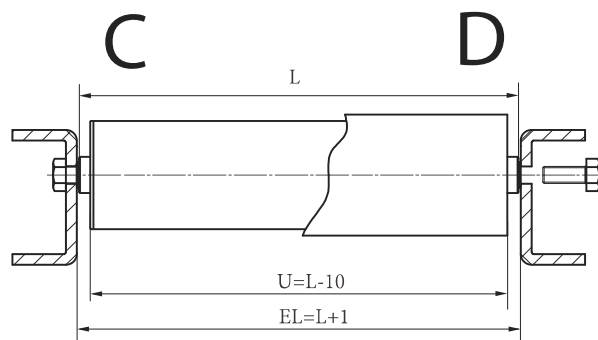
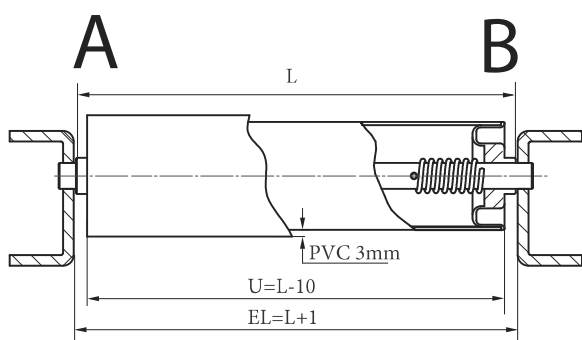
C



D



Internal axle with female thread
-axle diameter: 12mm
-thread: M8
-thread depth: 15mm



Code

	17R	50	A	0500	Y	8	
Usable width	U	1	2	3	4	5	6

1	Negnani valj Gravity roller	Rullo a gravità Nicht angetriebene Rollen	17R
2	Premer valja Roller diameter	Diametro rullo Durchmesser	Ø 50 - Ø 60
3	Izvedba valja Roller type	Tipo di rullo Rollenausführung	A - B - C - D
4	Vgradna dimenzija Installation dimension	Dimensioni di installazione Einbaumass	L = Min. 40mm - Max 1800mm
5	PVC prevleka (Fi valja+6 mm) PVC coating (Fi roller+6 mm)	Rivestimento in PVC (Fi rullo+6 mm) PVC Beschichtung (Fi Rolle+6 mm)	Y= with from -10°C to + 40°C N= No from -10°C to + 80°C
6	Premer osovine Axes diameter	Diametro asse Achsen-Durchmesser	Ø8 - Ø10 - Ø12



Gnani transportni valj



Rullo azionato



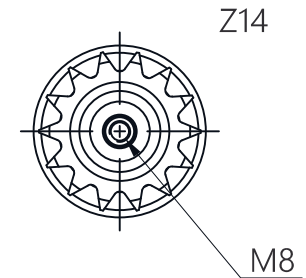
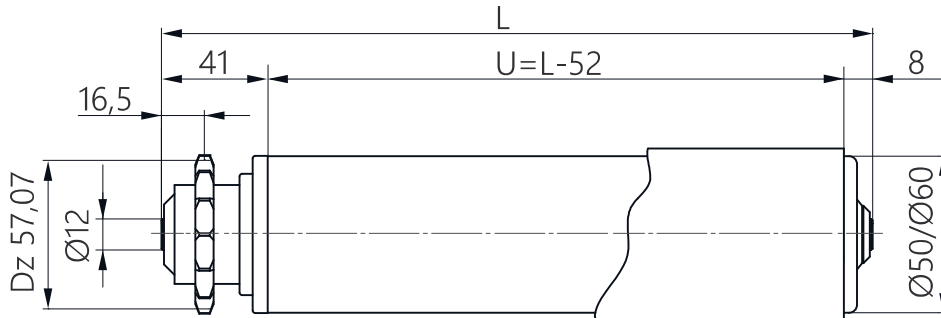
Driven roller



Angetriebene Rolle

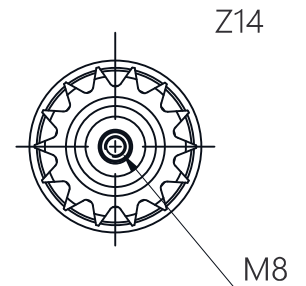
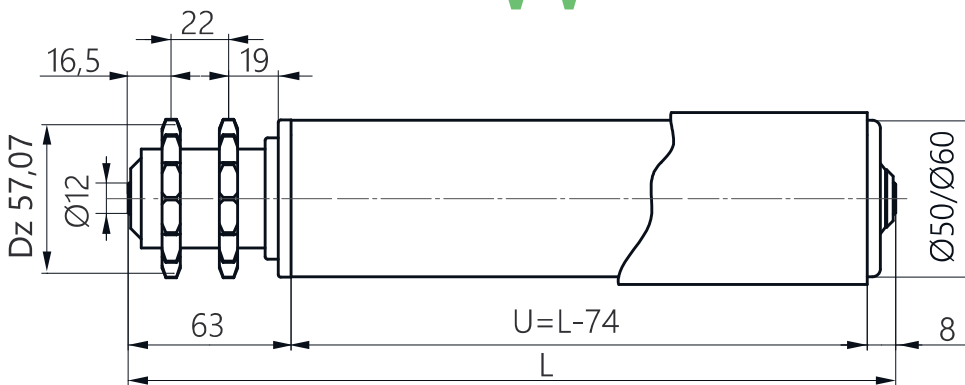
V

Plastic sprocket Z14 1/2"



W

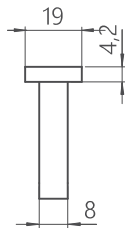
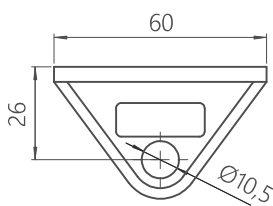
Dual plastic sprocket Z14 1/2"



Code

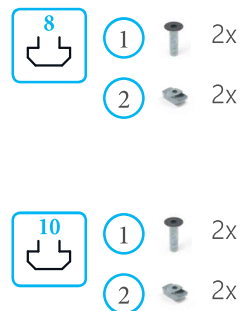
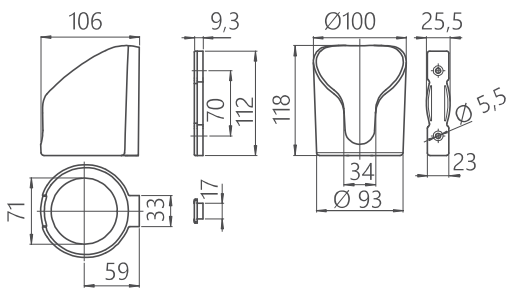
		Zn Fe	17R	50	V	0300	F	Y
Temperature range	from -10°C to +40°C		1	2	3	4	5	6
1	Gnani valj Driven roller							17R
2	Premer valja Roller diameter							Ø 50 - Ø 60
3	Tip valja Roller type							V - W
4	Vgradna dimenzija Installation dimension							$L_v = \text{Min. } 100\text{mm} - \text{Max } 1800\text{mm}$ $L_w = \text{Min. } 125\text{mm} - \text{Max } 1800\text{mm}$
5	Izvedba valja Roller version							F = fixed - C = for accumulation
6	PVC prevleka (Fi valja +6 mm) PVC coating (Fi roller+6 mm)							Y= with - N= No

	Obešalna spona / Drsnik		Moschettone / Occhiello
	Snap hook / Slider		Hängegleiter / Karabinerhaken



				Code
Description	Type			
Snap hook	(A)	26g		12090
Slider	(B)	10g		12091

	Nosilec		Portaoggetti
	Tool holder		Werkzeughalter



				Code
Description				
Tool holder		162g		12092
Tool holder		176g		12093*

		Assembly components - sold separately		Code
8	(1)	Screw with countersunk head M5x16		41 11164
8	(2)	Hammer Nut M5 U8		45 11056
10	(1)	Screw with countersunk head M5x20		46 11065
10	(2)	Hammer Nut M5 U10		45 11059

*	Zaprto dno Closed bottom Fondo chiuso Bodenverschluss
---	--

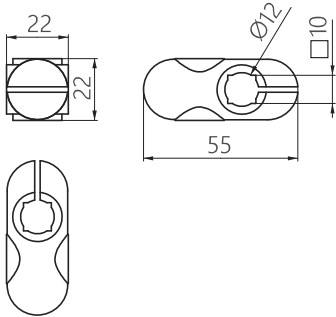
Ostali modeli po naročilu | Other models on request | Altri modelli a richiesta | Andere Modelle auf Bestellung

	Cev Ø 12		Tubo Ø 12
	Tube Ø 12		Rohr Ø 12



			Code
Description			
Tube Ø 12		16g	12094

	Nosilec senzorna		Supporto sensore
	Sensor support		Sensorträger



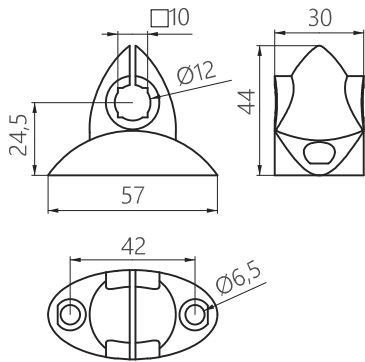
			Code
Description			
Sensor support		25g	12095



Nosilec senzora
Sensor support



Supporto sensore
Sensorträger



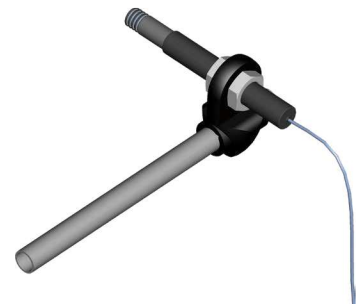
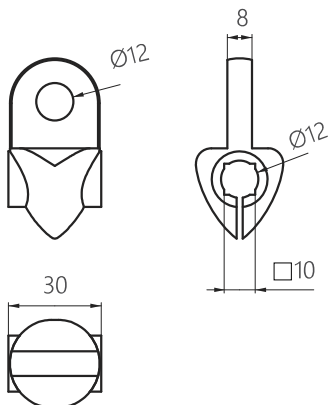
		Code	
PA6	8/10	Description	
		Sensor support	30g 12096



Nosilec senzora
Sensor support



Supporto sensore
Sensorträger



		Code	
PA6	8/10	Description	
		Sensor support	28g 12097



Varnostno stikalo magnetno



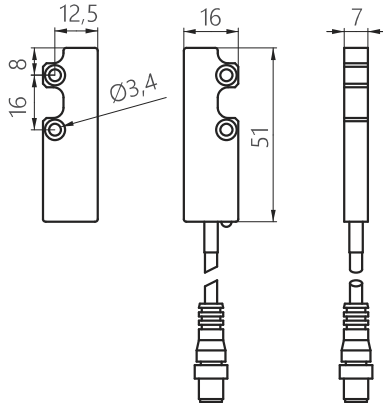
Contatto magnetico di sicurezza



Magnetic security switch



Sicherheits-Fallenverschluss



		Code	
	Description		
	Magnetic security switch	106g	12098



Varnostno odpiralo



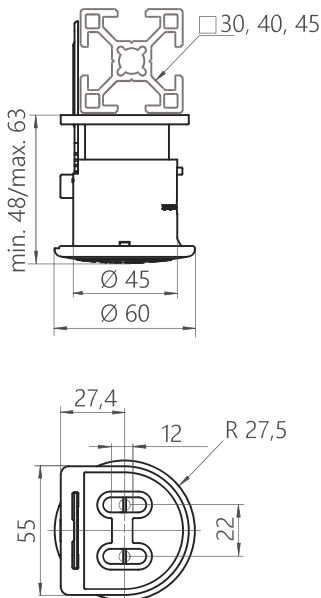
Tasto di sicurezza



Emer. opener for slam latch



Notöffner



		Code			
			Description		
			Emer. opener for slam latch	104g	12163

Kompatibilno z artiklom koda: 12081
 Compatible with article code: 12081
 Compatibile con articolo: 12081
 Kompatibel mit Artikelcode: 12081

Assembly components - sold separately		Code		
	Slam latch universal		116	12081



Pločevina prašno barvana Fe



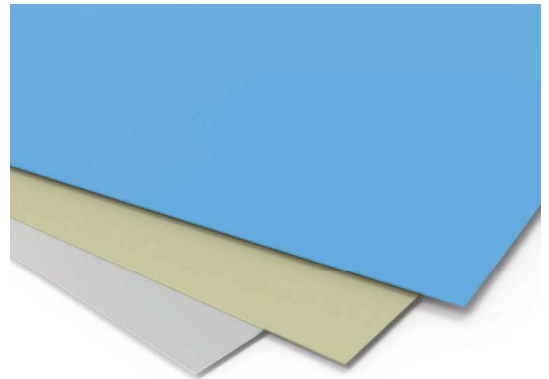
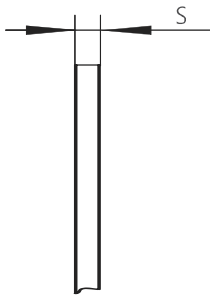
Powder coated Fe panel



Lamiera verniciata a polvere Fe



Pulverbeschichtet Fe Platte



Code

		Description	S [mm]	Dimension [mm]		
		Steel sheet RAL 7032 beige	1,25	1500 x 3000	10Kg/m ²	12164
		Steel sheet RAL 7035 bright gray	1,25	1500 x 3000	10Kg/m ²	12165
		Steel sheet RAL 5012 Lipro blue	1,25	1500 x 3000	10Kg/m ²	12166

Ostale barve po RAL lestvici in debeline pločevine po naročilu | Other colors (RAL scale) and sheet thicknesses available on request
 Altri colori secondo (scala RAL) e spessore lamiera a richiesta | Andere Farben nach RAL und Dicke auf Anfrage



Pločevina INOX



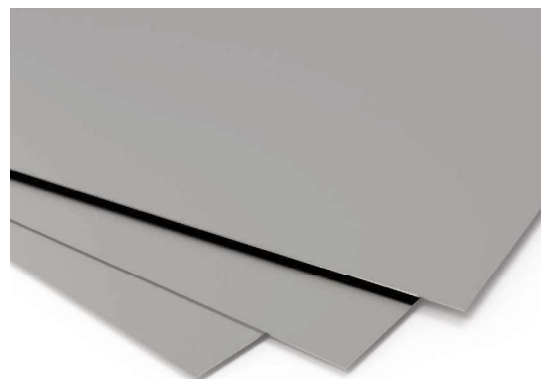
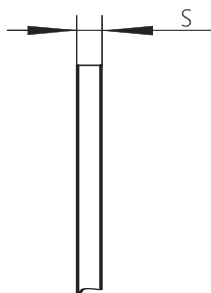
INOX plate



Lamiera INOX



INOX-Platte



Code

		Description	S [mm]	Dimension [mm]		
		INOX plate	1	1000 x 2000	8Kg/m ²	12185
			1,2	1000 x 2000	9,5Kg/m ²	12186
			1,5	1000 x 2000	12Kg/m ²	12187



Rebrasta al. pločevina 2/3



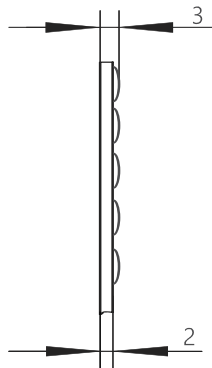
Lamiera al. antiscivolo 2/3



Anti-slip al. plate 2/3



Rutschfeste Aluminiumplatte 2/3



Code

	Description	S [mm]	Dimension [mm]		Code
	Anti-slip al. plate 2/3	2/3	1000 x 2000	6,4Kg/m ²	12167



Mreža varjena 30x30x3mm



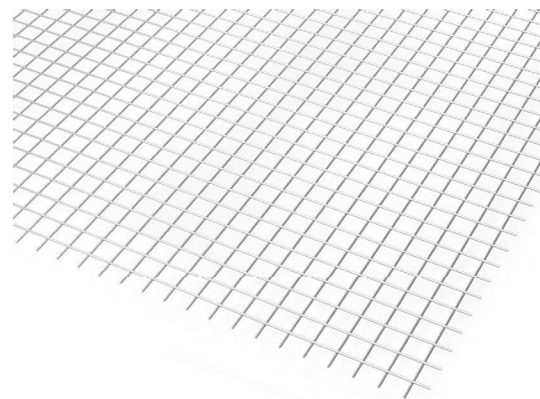
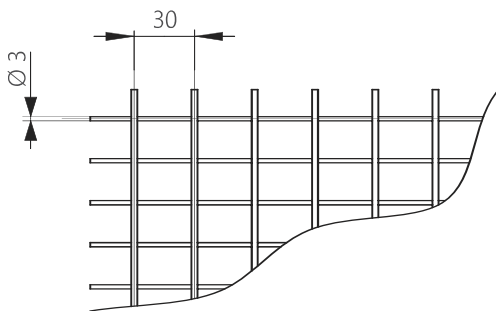
Rete elettrosaldata 30x30x3mm



Welded wire mesh 30x30x3mm



Gitter verschweißt 30x30x3mm



Code

	Description	S [mm]	Dimension [mm]	Type		Code
	Welded wire mesh 30x30x3mm	3	1200 x 2400	Zinc	3,7Kg/m ²	12168
	Welded wire mesh 30x30x3mm	3	1200 x 2400	Yellow	3,7Kg/m ²	12200
	Welded wire mesh 30x30x3mm	3	1200 x 2400	Black	3,7Kg/m ²	12201



Mreža varjena 15x105x3mm



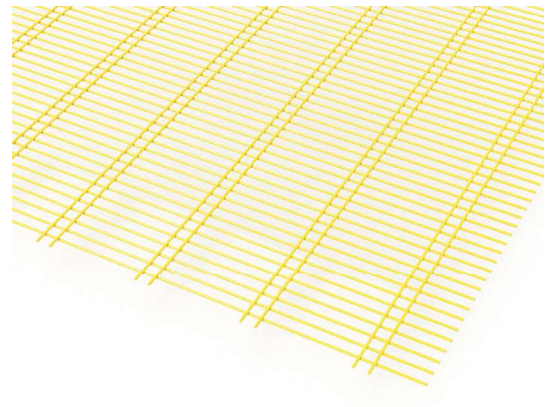
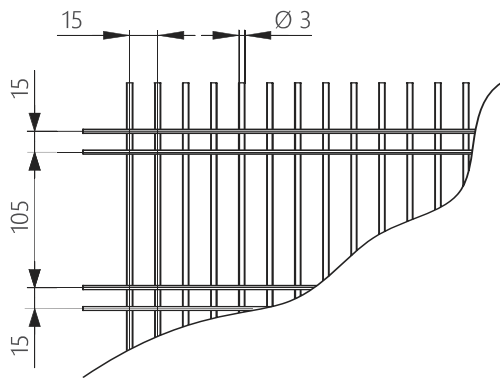
Welded wire mesh 15x105x3mm



Rete elettrosaldata 15x105x3mm



Gitter verschweißt 15x105x3mm



Code

Zn Fe	8/10	Description	S [mm]	Dimension [mm]	Type	Weight	Code
		Welded wire mesh 15x105x3mm	3	1200 x 2400	Yellow	3,8Kg/m ²	12169
		Welded wire mesh 15x105x3mm	3	1200 x 2400	Black	3,8Kg/m ²	12202

Ostale barve (RAL) po naročilu | Other colors (RAL scale) upon request
 Altri colori (RAL) a richiesta | Andere Farben nach RAL auf Bestellung



Samolepilna folija-antistatik



Self-adhesiv foil, antistatic



Pellicola autoadesiva-antistatica



Selbstklebende Folie, antistatisch



Code

ESD	8/10	Description	S [mm]	Dimension [mm]	Weight	Code
		Self-adhesiv foil, antistatic [Roll]	0,05	1200 x 10000	0,002g/m ²	12170



Polikarbonat prosojen



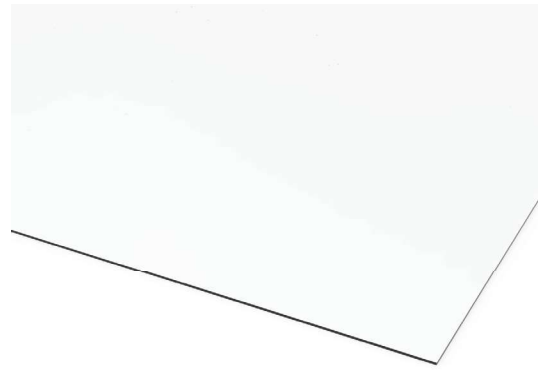
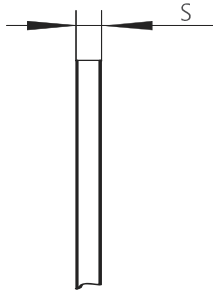
Policarbonato trasparente



Polycarbonate transparent



Polykarbonat transparent



- Material Termoplastični polimer
- Material Thermoplastic polymer
- Materiale Polimeri termoplastici
- Material Thermoplastische Polymere

8/10	Description	S [mm]	Dimension [mm]		Code
	Polycarbonate transparent	3	2050 x 3050	3,6Kg/m ²	12171
		4	2050 x 3050	4,8Kg/m ²	12172
		5	2050 x 3050	6,1Kg/m ²	12173
		6	2050 x 3050	7,3Kg/m ²	12174
		8	2050 x 3050	9,6Kg/m ²	12175



3A kompozitna plošča



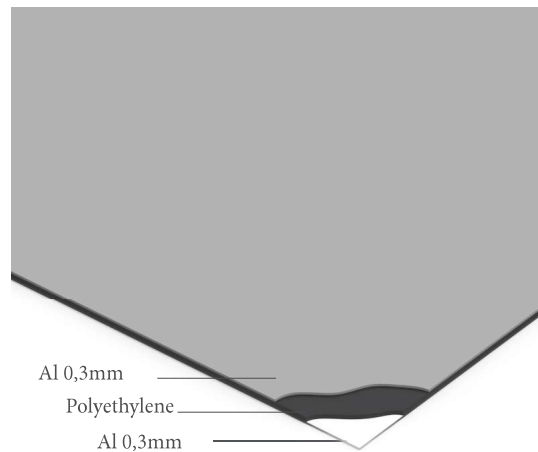
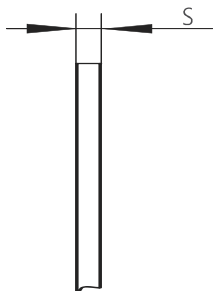
3A pannello composito



3A composite panel



3A-Verbundplatte



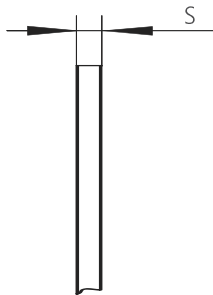
8/10	Description	S [mm]	Dimension [mm]		Code
	3A composite panel 3mm gray/white	3	2000 x 3050	4,2Kg/m ²	12176
	3A composite panel 3mm white/white	3	2000 x 3050	4,2Kg/m ²	12177



PVC penjen beli
Foamed PVC white



PVC espanso bianco
Geschäumter PVC weiß



Code

Material	PVC (polivinil klorid)
Material	PVC (polyvinyl chloride)
Materiale	PVC (polyvinil chloride)
Material	PVC (Polyvinylchlorid)

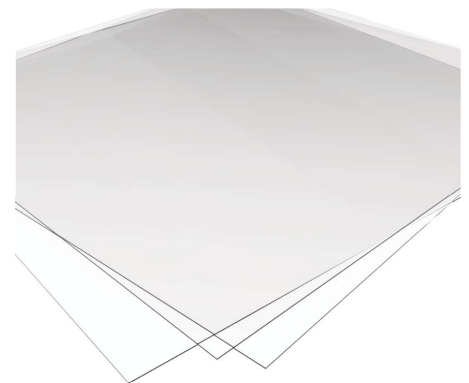
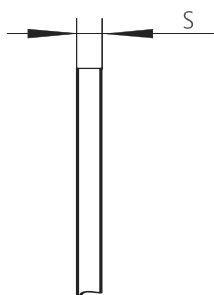
8/10	Description	S [mm]	Dimension [mm]	8/10	Code
					Foamed PVC white
		10	2050 x 3050	4,8Kg/m ²	12179



Akrilna prosojna plošča
Acryl plate transparent



Lastra acrilica-trasparente
Acrylplatte transparent



Code

Material	PMMA (polimetilmetakrilat)
Material	PMMA (polymethymethacrylate)
Materiale	PMMA (polyvinil chloride)
Material	PMMA (Polyvinylchlorid)

8/10	Description	S [mm]	Dimension [mm]	8/10	Code
					Acryl plate transparent
		6	2050 x 3050	7,3Kg/m ²	12181
		8	2050 x 3050	9,6Kg/m ²	12182



Sveder za valjanje navojev



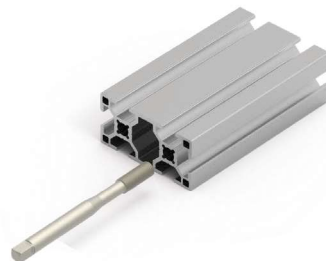
Maschi rullatori



Thread former



Gewindeformer



Code

8/10	Description ISO Metric thread	M	Drill diameter Ø [mm]	3g	
	Thread former	8	7,4	3g	13001
		10	9,3	3g	13002
		12	11,2	3g	13003
		16	15	3g	13004



Priprava za vrtanje



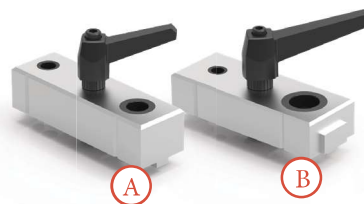
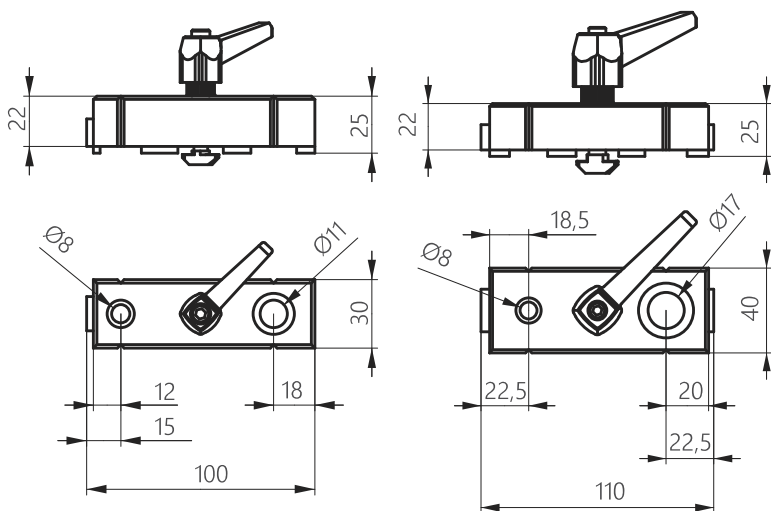
Dispositivo di perforazione



Drilling device



Bohrvorrichtung



Code

Al Eto	8/10	Description	Type	260g	
	8	Drilling device	A	260g	13005
	10		B	300g	13006



NOTES:

A series of horizontal blue lines for taking notes, spanning most of the page width.





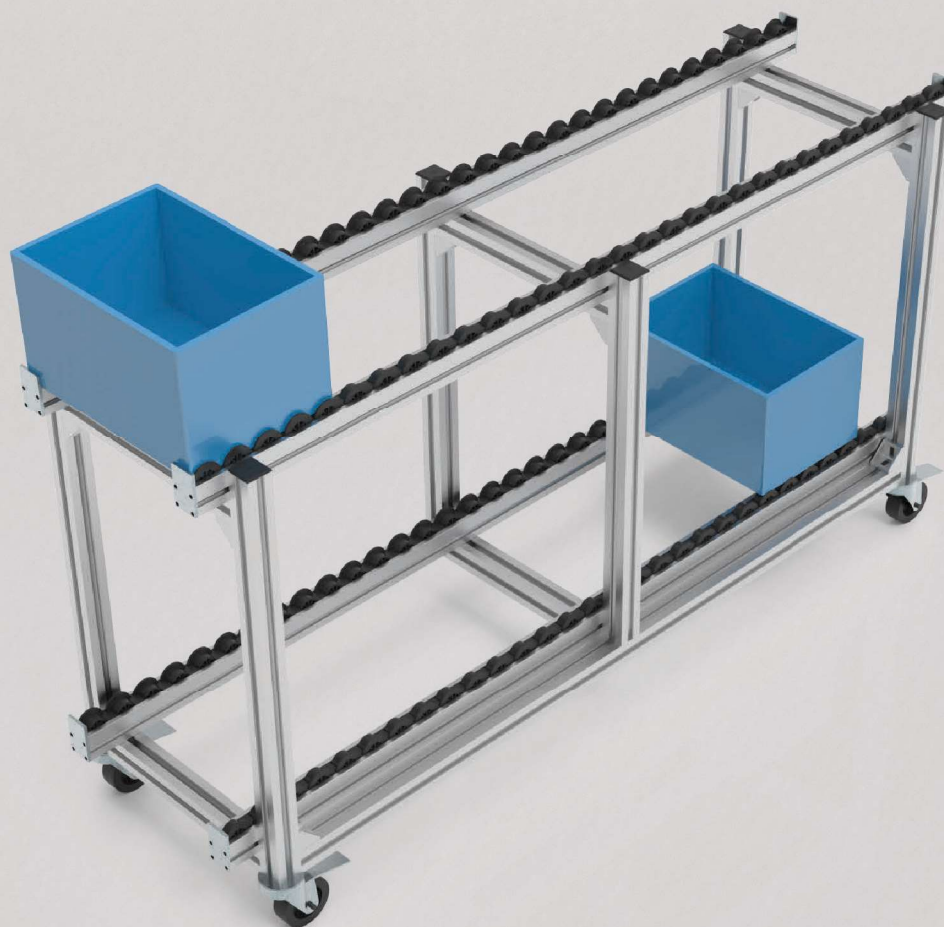
LIPRO

Valjčne proge

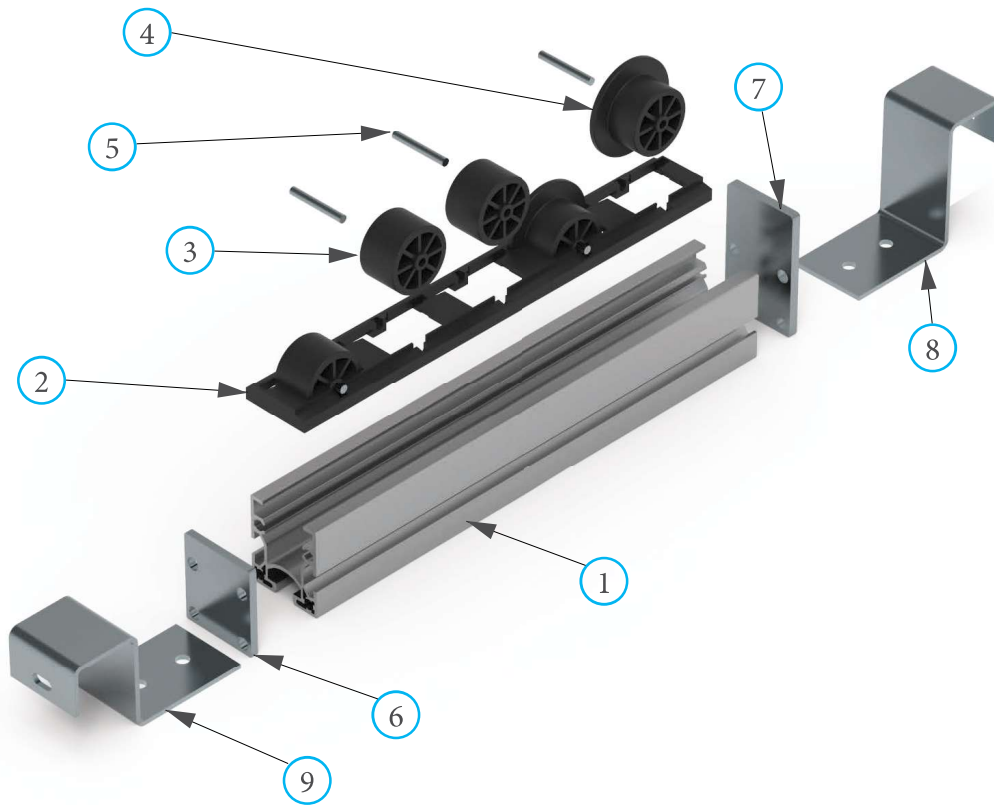
Roller rails

Rulliere

Rollenbahnen



	Elementi za al. valjčne proge		Componenti per ruliera al.
	Components al. for roller rails		Komponenten für Al.-Rollenschienen



Pos	Opis	Descriptions	Descrizione	Beschreibung	Code
1	Al. profil 40x45	Al. profil 40x45	Profilo al. 40x45	Al-Profil 40x45	14001
2	Nosilec valjčka PA	Roller carrier PA	Portante rotella PA	Rollerträger PA	14002A
3	Kolo val. proge brez vodenja	Roller - not guided	Rotella senza bordino	Rolleneinsatz nicht geführt	14003A
4	Kolo val. proge z bočnim vodenjem	Roller - lateral guided	Rotella con bordino	Rolleneinsatz mit Bordscheibe	14004A
5	Osovina valjčka Ø4x31	Roller axis Ø4x31	Asse rotella Ø4x31	Rollenachse Ø4x31	14005
6	Zaključna ploščica profila - nizka	End plate - low	Piastra chiusura profilo - bassa	Absschlussplatte - niedrig	14006
7	Zaključna ploščica profila - visoka	End plate - high	Piastra chiusura profilo - alta	Absschlussplatte - hoch	14007
8	Nosilec proge - visok	Rail holder - high	Supporto profilo - alto	Rollenschienen-träger - hoch	14008
9	Nosilec proge - nizek	Rail holder - low	Supporto profilo - basso	Rollenschienen-träger - niedrig	14009

Kazalo Index Indice Inhalt

Components for al. roller rails	136			144	Roller rail holder - low
Al. profile 40x45 for roller rail	138			145	Roller rail holder - high
Roller carrier, axis	138			145	Roller rail closure - low
Roller-not guided	139			146	Central guide
Roller-lateral guided	139			146	Roller rail section link
End plate - low	140			147	Lateral guide
End plate - high	140			147	Label Holder
Rail holder - high	141			148	Cross connector
Rail holder - low	141			148	Dual roller rail without guide
Roller rail component	143			149	Roller rail with lat. guide
Support tube holder	144			149	Roller rail without guide



Al. profil 40x45 valjčne proge



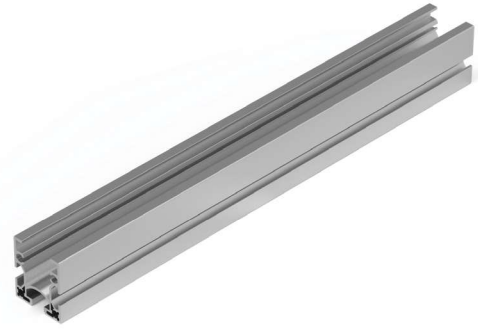
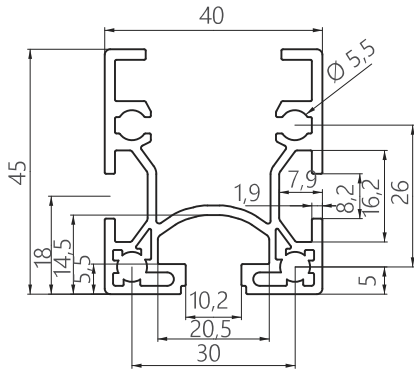
Profilo al. 40x45 per rulliere



Al. profile 40x45 for roller rail



Al.-Profil für Rollenbahnen



		Code	
		Description	
		Al. profile 40x45 for roller rail	1,1Kg/m
			14001



Nosilec valjčka PA / Osovina valjčka



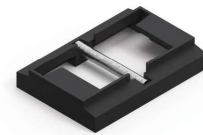
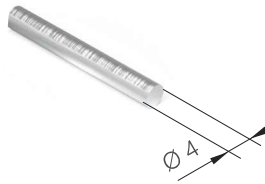
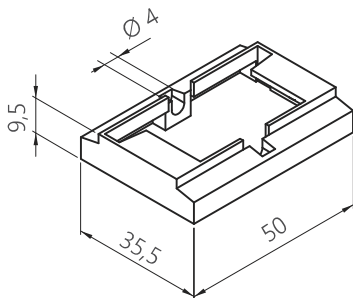
Portante rotella PA / Asse per rotella



Roller carrier PA / Roller axis



Rollerträger PA / Rollenachse



		Code	
			Description
			Roller carrier PA 35,5 x 50 mm
			1g
			14002A
			Roller axis Ø4 x 31 mm
			3g
			14005



Kolo valjčne proge brez vodenja



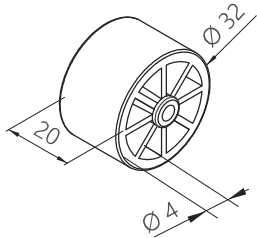
Rotella senza bordino



Roller - not guided



Rolleneinsatz nicht geführt



PA 6

Description



Code

Roller - not guided Ø 32 x 20 mm

10g

14003A



Kolo valjčne proge z bočnim vodenjem



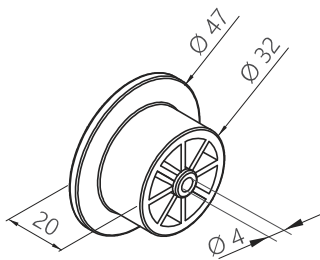
Rotella con bordino



Roller - lateral guided



Rolleneinsatz mit Bordscheibe



PA 6

Description



Code

Roller - lateral guided Ø 47 x 20 mm

13g

14004A



Zaključna ploščica profila - nizka



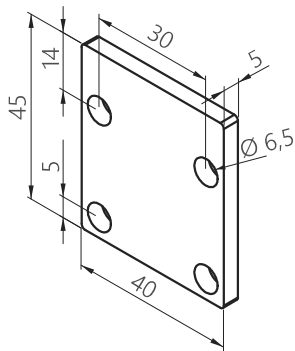
Piastra chiusura profilo - bassa



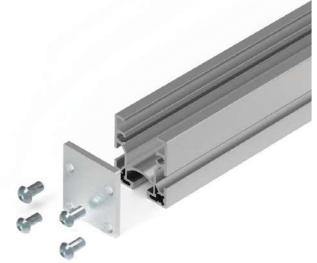
End plate - low



Abschlussplatte - niedrig



① 4x



		Code	
	Description	51g	14006
	End plate - low		

Assembly components - sold separately			Code
①	Round-headed screw M6x16	40	11018



Zaklj. plošč. profila valj. p. visoka



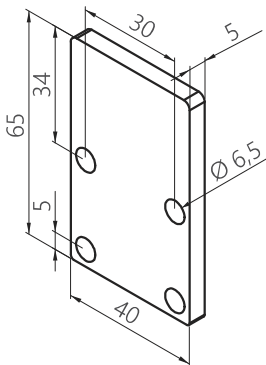
Piastra chiusura profilo - alta



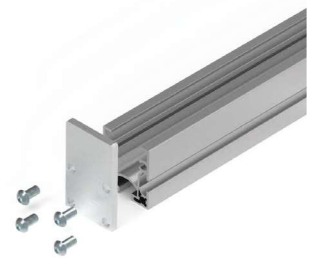
End plate - high



Abschlussplatte - hoch



① 4x



		Code	
	Description	75g	14007
	End plate - high		

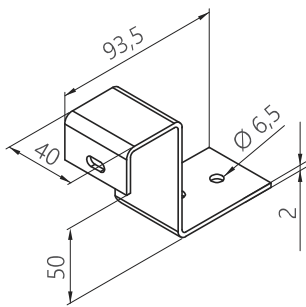
Assembly components - sold separately			Code
①	Round-headed screw M6x16	40	11018



Nosilec proge - visok



Rail holder - high



1 4x



Supporto profilo - alto



Rollenschienenträger - hoch



1 2x

2 2x



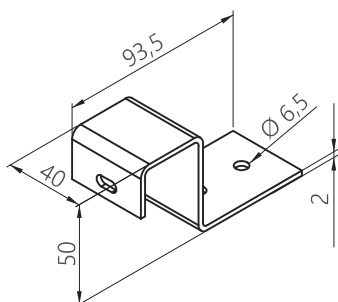
			Code
Zn Fe	Description	137g	
	Rail holder - high		14008
Assembly components - sold separately			Code
1	Round-headed screw M6x12	40	11017
2	Hammer nut M6 U8	45	11057
2	Hammer nut M6 U10	45	11060



Nosilec proge - nizek



Rail holder - low



Supporto profilo - basso



Rollenschienenträger - niedrig



1 2x

2 2x



			Code
Zn Fe	Description	124g	
	Rail holder - low		14009
Assembly components - sold separately			Code
1	Round-headed screw M6x12	40	11017
2	Hammer nut M6 U8	45	11057
2	Hammer nut M6 U10	45	11060



Al. valjčna proga - sestav Fe



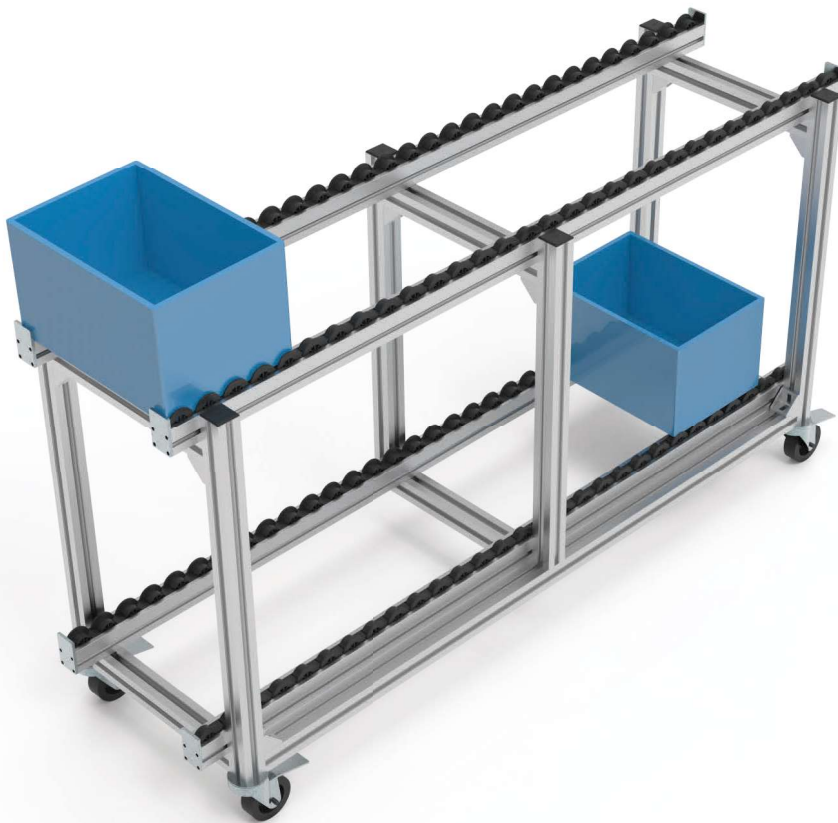
Composizione rulliera - Fe



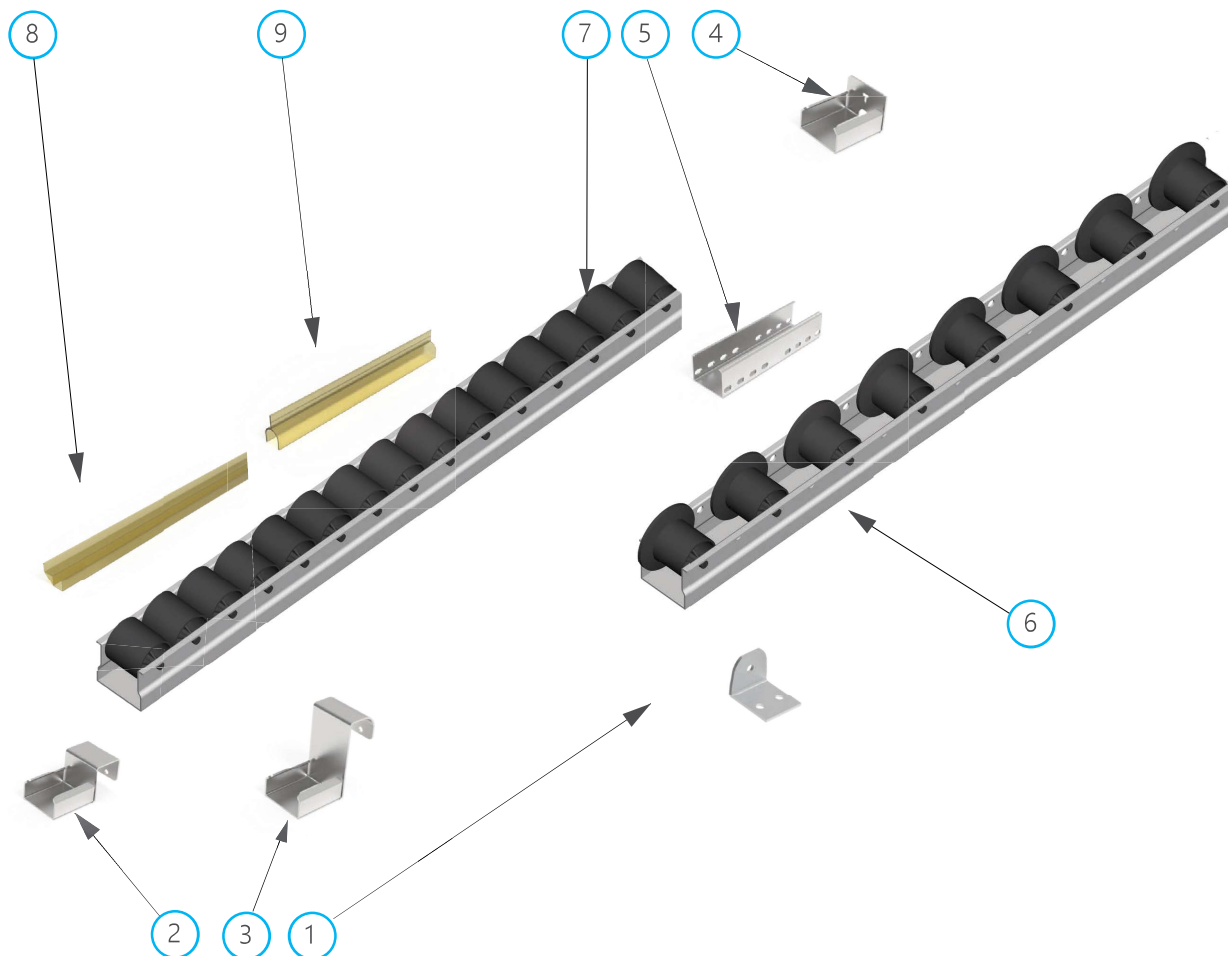
Roller rail set - Fe



Rollenschiensatz - Fe



	Elementi za valjčne proge - Fe		Composizione elementi ruliera - Fe
	Roller rail composition - Fe		Rollenschienen-Komponenten - Fe



Pos	Opis	Descriptions	Descrizione	Beschreibung	Code
1	Nosilec podporne cevi za 14029	Support tube holder for 14029	Portante per tubo supporto 14029	Stützrohrträger für 14029	14010
2	Nosilec valjčne proge Fe - nizek	Roller rail holder Fe - low	Supporto profilo binario Fe - basso	Rollenschinenträge Fe - niedrig	14023
3	Nosilec valjčne proge Fe - visok	Roller rail holder Fe - high	Supporto profilo binario Fe - alto	Rollenschinenträge Fe - hoch	14024
4	Končnik valjčne proge Fe - nizek	Roller rail end plate Fe - low	Staffa entrata-fine Fe - bassa	Rollenschienenverschluss - niedrig	14042
5	Vzdolžni spoj valjčne proge - Fe	Roller-rail section link - Fe	Giunto longitudinale binario - Fe	Rollenschienen-Längsverbindung - Fe	14022
6	Valjčna proga Fe z vodenjem	Roller-rail lateral guided - Fe	Profilo binario Fe - rotelle con bordino	Rollenschienen mit Bordscheibe	14020
7	Valjčna proga Fe brez vodenja	Roller-rail not guided - Fe	Profilo binario Fe - rotelle senza bordino	Rollenschienen - Fe ohne Bordscheibe	14021
8	Bočno vodilo	Lateral guide	Sponda laterale	Seitenführung	14043
9	Sredinsko vodilo	Central guide	Guida centrale	Zentralführung	14026



Nosilec podporne cevi - za 14029



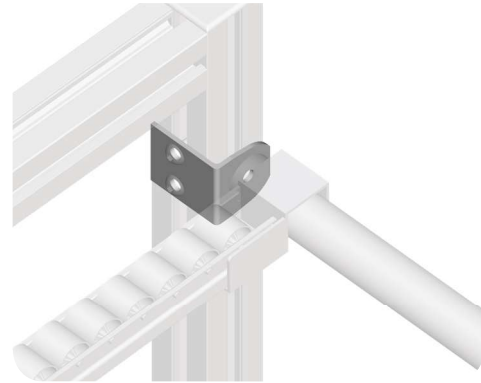
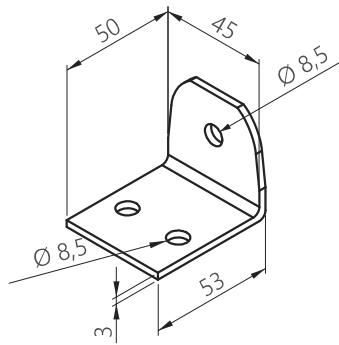
Portante per tubo supp. per 14029



Support tube holder - for 14029



Stützrohrträger - für 14029



			Code
Zn Fe	Description		
	Support tube holder - for 14029	89g	14010



Nosilec valjčne proge Fe - nizek



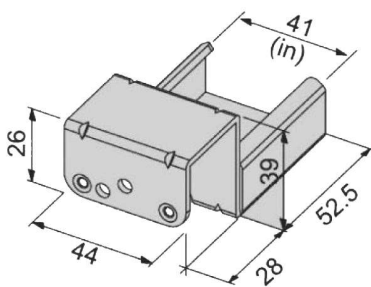
Supporto profilo binario Fe - basso



Roller rail holder Fe - low



Rollenschinenträger Fe - niedrig



			Code
Zn Fe	Description		
	Roller rail holder Fe - low	100g	14023



Nosilec valjčne proge Fe - visok



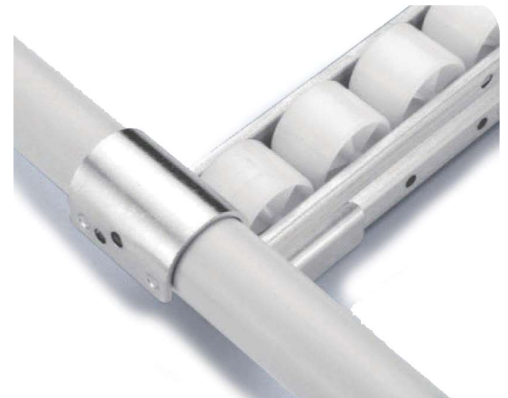
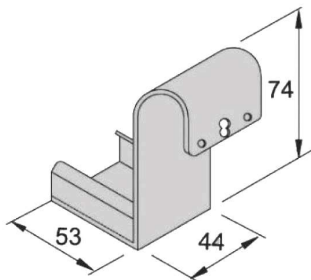
Supp. profilo binario Fe - alto



Roller rail holder Fe - high



Rollenschienenträger Fe - hoch



		Code	
	Description		
	Roller rail holder Fe - high		100g



Končnik valjčne proge Fe - nizek



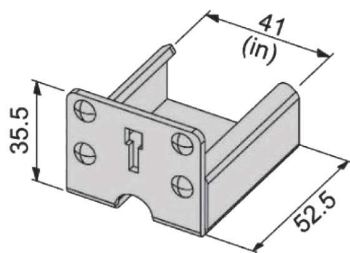
Staffa entrata-fine Fe - bassa



Roller rail closure Fe - low



Rollenschienenverschluss - niedrig



		Code	
	Description		
	Roller rail closure Fe - low		100g



Vzdolžni spoj valjčne proge - Fe



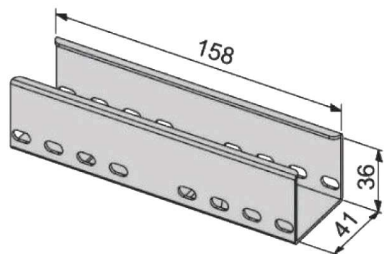
Giunto longitudinale binario - Fe



Roller-rail section link - Fe



Rollenschiene-Längsverbinding - Fe



		Code	
Zn Fe	Description		
	Roller-rail section link - Fe	100g	14022



Sredinsko vodilo



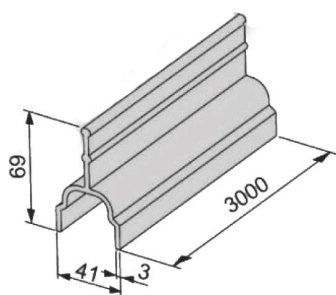
Guida centrale



Central guide



Zentralführung



		Code	
PA	Description		
	Central guide L=3000 mm	700g/m	14026



Bočno vodilo



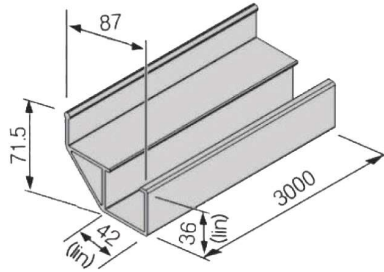
Sponda laterale



Lateral guide



Seitenführung



			Code
PA	Description		
	Lateral guide L=3000 mm	700g/m	14043



Nosilec oznake



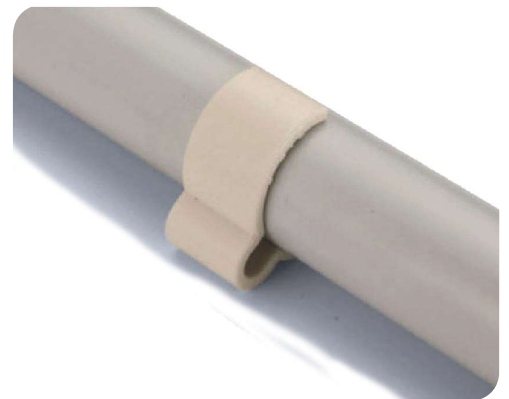
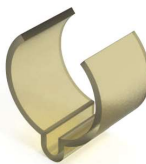
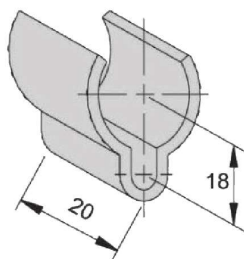
Supporto iscrizioni



Label holder



Etikettenhalter



			Code
PA	Description		
	Label holder	20g	14025



Križni spoj valjčne proge - Fe



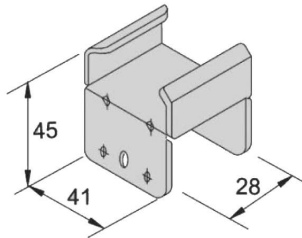
Supporto trasversale binario - Fe



Cross connector for roller rail - Fe



Rollenschienen-Kreuzverbinder - Fe



		Code	
	Description		
	Cross connector for roller rail - Fe		100g



Valj.proga dv. zam. valji brez vodenja



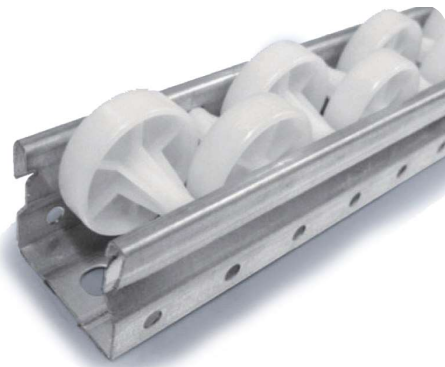
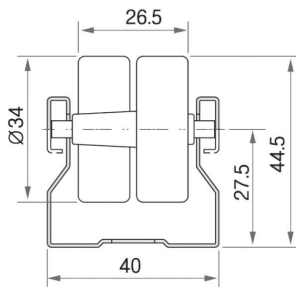
Pr. binario rotelle doppie



Dual roller rail without guide



Doppel-Rollenbahn ohne Führung



		Code	
	Description		
	Dual roller rail without guide L= 4000 mm		1125g/m



Valjčna proga z vodenjem



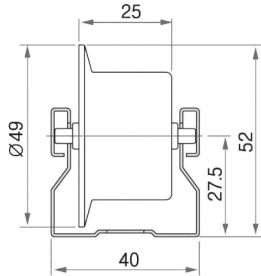
Pr. binario rotelle con bordino



Roller rail lateral-guided



Rollenschienen mit Bordscheibe



		Code	
Zn Fe	PA	Description	
		Roller rail lateral-guided L= 4000 mm	1070g/m 14020



Valjčna proga brez vodenja



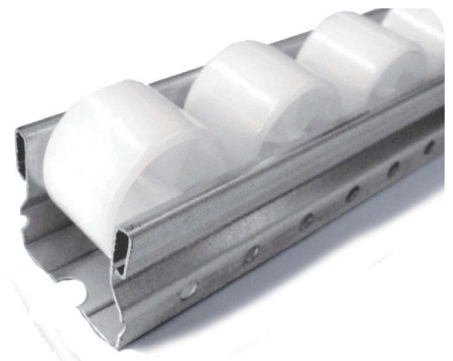
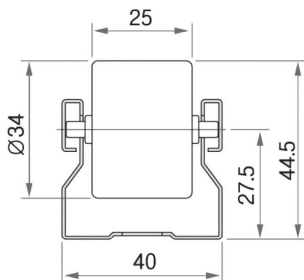
Pr. binario rotelle senza bordino



Roller rail not guided



Rollenschienen ohne Bordscheibe



		Code	
Zn Fe	PA	Description	
		Roller rail not guided L= 4000 mm	1100g/m 14021















LIPRO

Cevni modularni sistem
Modular pipework system
Sistema modulare tubolare
Modulares Rohrsystem





Kazalo
Index
Indice
Inhalt

Al. profile Ø 28 L	155	
Al. profile Ø 28	155	
Threaded sleeve	156	
Cover cap	156	
Corner connector	157	
Set T-connector	157	
Angle connector 45°	158	
Ball connector	158	
Set parallel clamp	159	
Parallel connector	159	

	160	Cross connector
	160	Angle connector 45°
	161	Adapter plate 40x40
	161	Mounting clamp
	162	Castor holder



Al. cevna konstrukcija



Struttura tubolare al.



Al. pipework construction



Modulares Rohrsystem aus Al.





Al. profil Ø 28 L



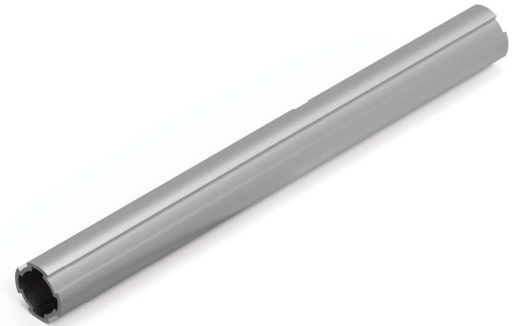
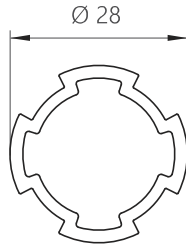
Profilo al. Ø 28 L



Al. profile Ø 28 L



Al. - Profil Ø 28 L



		Code	
		Description	
		Al. profile Ø 28 L	500g/m 14028



Al. profil Ø 28



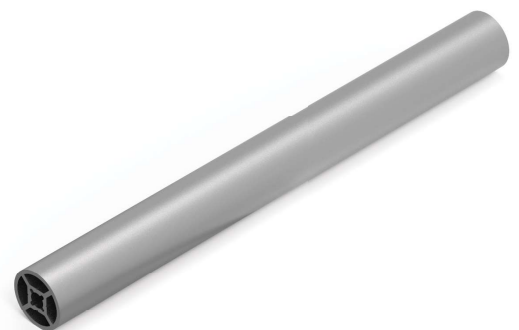
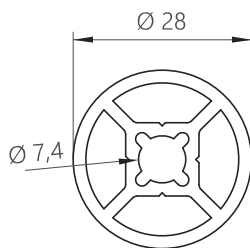
Profilo al. Ø 28



Al. profile Ø 28



Al.-Profil Ø 28



		Code	
		Description	
		Al. profile Ø 28	600g/m 14029



Pokrov z navojno matico D28



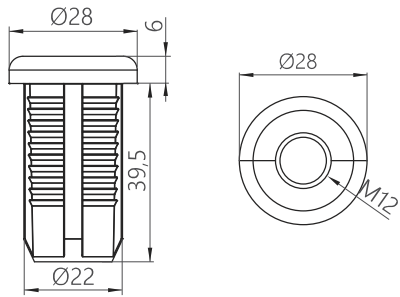
Tappo con dado lungo D28



Threaded sleeve D28



Gewindehülse D28



		Code	
PA6 #	Description	20g	
	Threaded sleeve D28		14030



Pokrov profila Ø28



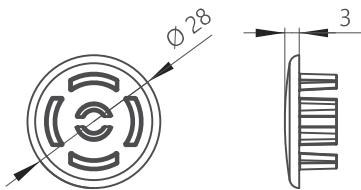
Tappo per profilo Ø28



Cover cap for profile Ø28



Profil-Abdeckkappe Ø28



		Code	
PA6 #	Description	2g	
	Cover cap for profile Ø28 mm		14031



Cevni spoj-kotni



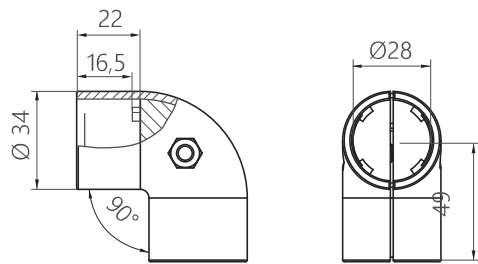
Racordo tubolare-angolare



Corner connector



Eckverbinder



		Code	
AI	Description		
	Corner connector	98g	14032



Cevni T-spoj D28



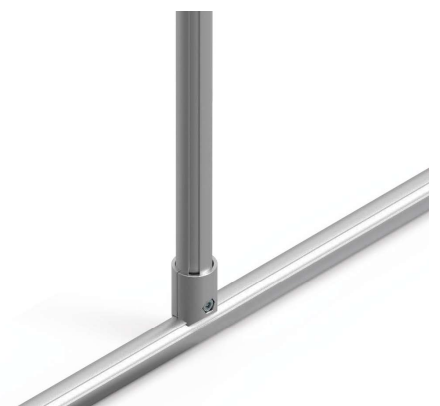
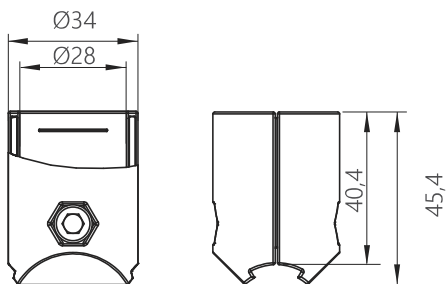
Racordo T-tubolare D28



Set T-connector D28



Set T-Verbinder D28



		Code	
AI	Description		
	Set T-connector 90°	55g	14033



Cevni spoj 45°



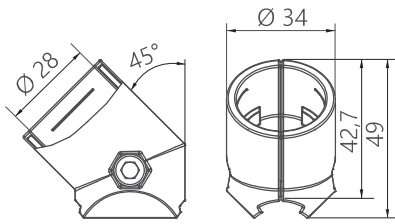
Racordo tubolare 45°



Angle connector 45°



Winkelverbinder 45°



			Code
AI	Description		
	Angle connector 45°	58g	14034



Zglob za cevni spoj



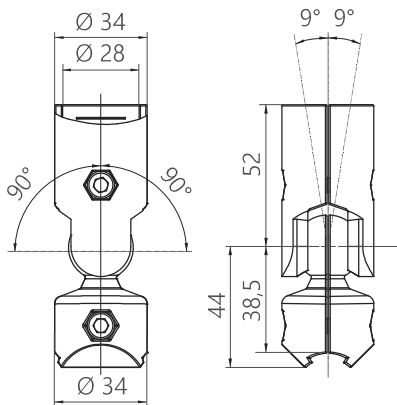
Racordo tubolare a sfera



Ball connector



Kugelverbinder



			Code
AI	Description		
	Ball connector	130g	14035



Objemni cevni spoj D28



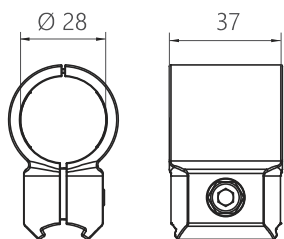
Connetore giunto tubolare D28



Set parallel clamp D28



Set Parallelklemme D28



		Code
AI	Description	
	Set parallel clamp D28	76g 14036



Paralelni cevni spoj D28



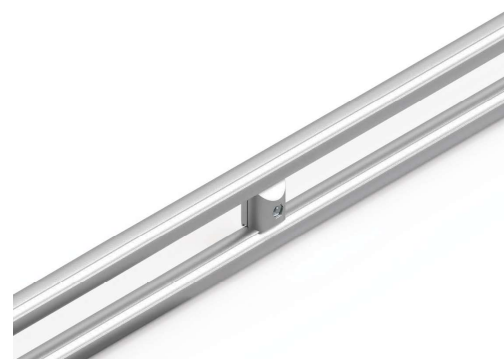
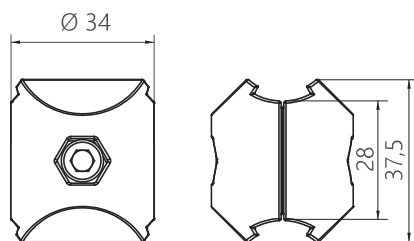
Connetore giunto tubolare - parallelo D28



Parallel connector D28



Set Parallelverbinder D28



		Code
AI	Description	
	Parallel connector	60g 14037



Križni cevni spoj



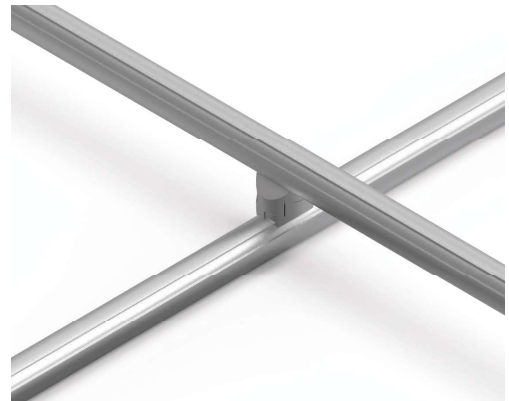
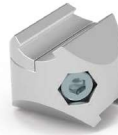
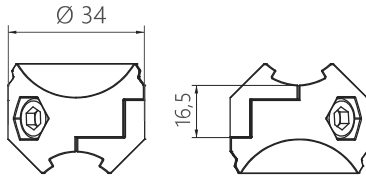
Connettere trasversale



Cross connector



Kreuzverbinder



			Code
AI	Description		
	Cross connector	50g	14038



Cevni kotni spoj 45°



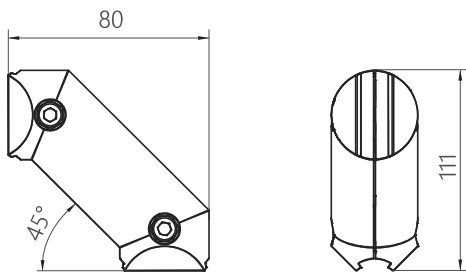
Connettere angolare 45°



Angle connector 45°



Winkelverbinder 45°



			Code
AI	Description		
	Angle connector 45°	128g	14039



Adapter 40x40mm



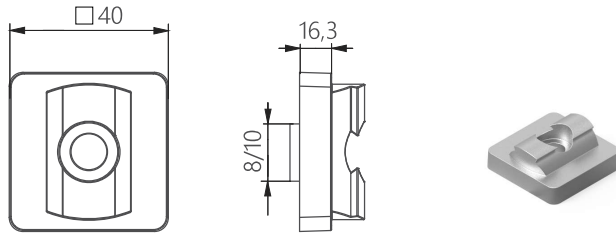
Piastra d'adattamento 40x40mm



Adapter plate 40x40mm



Adapterplatte 40x40mm



				Code
		Description		
		Adapter plate 40x40mm	26g	14040



Nosilec kpl. D28



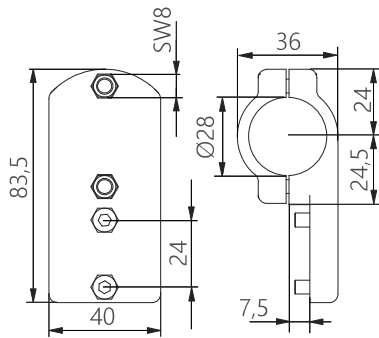
Supporto kpl. D28



Mounting clamp set D28



Befestigungsklemme Set D28



				Code
		Description		
		Mounting clamp set D28	212g	14045



Nosilec koleša



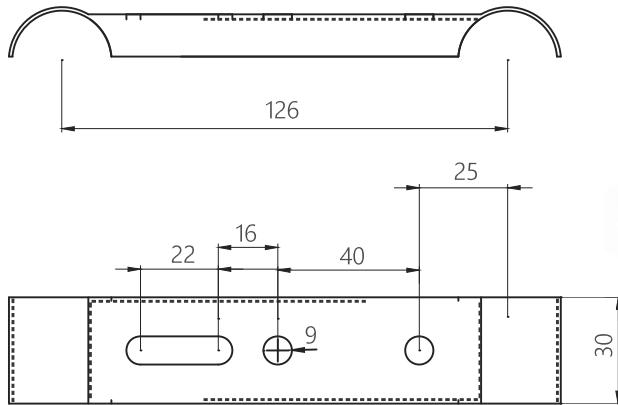
Supporto per ruota



Castor holder



Radträger



Za pritrditev enega koleša potrebujemo 4 kose
 Per il montaggio della ruota singola servono 4 pezzi
 For mounting one wheel 4 pieces are required
 Für die Montage ein Rades werden 4 Stück benötigt



		Code	
	Description		
	Castor holder		

Sk.	Koda	Stran	Sk.	Koda	Stran	Sk.	Koda	Stran	Sk.	Koda	Stran	Sk.	Koda	Stran
Gr.	Code	Page	Gr.	Code	Page	Gr.	Code	Page	Gr.	Code	Page	Gr.	Code	Page
Gr.	Codice	Pagina	Gr.	Codice	Pagina	Gr.	Codice	Pagina	Gr.	Codice	Pagina	Gr.	Codice	Pagina
Gr.	Kode	Seite	Gr.	Kode	Seite	Gr.	Kode	Seite	Gr.	Kode	Seite	Gr.	Kode	Seite
10	10001	21	11	11013	40	11	11053	43	11	11093	71	11	11136	81
10	10002	21	11	11014	40	11	11054	44	11	11094	50	11	11137	72
10	10003	23	11	11015	40	11	11055	45	11	11095	50	11	11138	80
10	10004	23	11	11016	40	11	11056	45	11	11096	50	11	11139	43
10	10005	24	11	11017	40	11	11057	45	11	11097	51	11	11140	52
10	10006	24	11	11018	40	11	11058	45	11	11098	51	11	11141	53
10	10007	27	11	11019	40	11	11059	45	11	11099	52	11	11142	55
10	10008	27	11	11020	40	11	11060	45	11	11100	53	11	11143	55
10	10009	28	11	11021	40	11	11061	45	11	11101	54	11	11144	68
10	10010	29	11	11022	40	11	11062	46	11	11102	54	11	11145	65
10	10011	30	11	11023	40	11	11063	46	11	11103	56	11	11146	65
10	10012	30	11	11024	40	11	11064	46	11	11104	57	11	11147	67
10	10013	29	11	11025	40	11	11065	46	11	11105	57	11	11148	67
10	10014	31	11	11026	40	11	11066	46	11	11106	58	11	11149	67
10	10015	31	11	11027	41	11	11067	47	11	11107	59	11	11150	75
10	10016	32	11	11028	41	11	11068	47	11	11108	60	11	11151	76
10	10017	33	11	11029	41	11	11069	47	11	11109	60	11	11152	80
10	10018	33	11	11030	41	11	11070	47	11	11110	62	11	11153	82
10	10019	34	11	11031	41	11	11071	47	11	11111	63	11	11154	82
10	10020	35	11	11032	41	11	11072	47	11	11112	64	11	11155	82
10	10021	25	11	11033	41	11	11073	47	11	11113	64	11	11156	82
10	10022	26	11	11034	41	11	11074	47	11	11114	66	11	11157	70
10	10023	32	11	11035	41	11	11075	48	11	11115	66	11	11158	74
10	10024	22	11	11036	41	11	11076	48	11	11116	69	11	11159	74
10	10025	22	11	11037	42	11	11077	48	11	11117	70	11	11160	73
10	10026	25	11	11038	42	11	11078	48	11	11118	70	11	11161	56
10	10027	26	11	11039	42	11	11079	49	11	11119	71	11	11162	41
10	10028	28	11	11040	42	11	11080	49	11	11120	71	11	11163	61
11	11001	40	11	11041	42	11	11081	49	11	11121	72	11	11164	41
11	11002	40	11	11042	42	11	11082	49	11	11122	73	11	11165	41
11	11003	40	11	11043	42	11	11083	50	11	11123	74	11	11166	44
11	11004	40	11	11044	42	11	11084	61	11	11124	75	11	11167	68
11	11005	40	11	11045	42	11	11085	62	11	11125	77	11	11168	48
11	11006	40	11	11046	42	11	11086	63	11	11126	78	11	11169	48
11	11007	40	11	11047	42	11	11087	58	11	11127	78	11	11170	49
11	11008	40	11	11048	42	11	11088	59	11	11128	79	11	11171	49
11	11009	40	11	11049	42	11	11089	76	11	11129	79	11	11172	67
11	11010	40	11	11050	42	11	11090	77	11	11133	80	11	11173	81
11	11011	40	11	11051	42	11	11091	69	11	11134	80	11	11174	83
11	11012	40	11	11052	43	11	11092	80	11	11135	80	11	11175	83

Sk.	Koda	Stran	Sk.	Koda	Stran	Sk.	Koda	Stran	Sk.	Koda	Stran	Sk.	Koda	Stran
Gr.	Code	Page	Gr.	Code	Page	Gr.	Code	Page	Gr.	Code	Page	Gr.	Code	Page
Gr.	Codice	Pagina	Gr.	Codice	Pagina	Gr.	Codice	Pagina	Gr.	Codice	Pagina	Gr.	Codice	Pagina
Gr.	Kode	Seite	Gr.	Kode	Seite	Gr.	Kode	Seite	Gr.	Kode	Seite	Gr.	Kode	Seite
12	12001	88	12	12041	101	12	12080	116	12	12124	88	12	12164	127
12	12002	88	12	12042	101	12	12081	116	12	12125	118	12	12165	127
12	12003	88	12	12043	101	12	12082	117	12	12126	118	12	12166	127
12	12004	88	12	12044	101	12	12083	117	12	12127	88	12	12167	128
12	12005	88	12	12045	101	12	12084	118	12	12128	88	12	12168	128
12	12006	88	12	12046	101	12	12085	118	12	12129	88	12	12169	129
12	12007	88	12	12047	102	12	12086	118	12	12130	88	12	12170	129
12	12008	88	12	12048	102	12	12087	118	12	12131	88	12	12171	130
12	12009	88	12	12049	102	12	12088	119	12	12132	88	12	12172	130
12	12010	88	12	12050	102	12	12089	119	12	12133	88	12	12173	130
12	12011	88	12	12051	102	12	12090	123	12	12134	88	12	12174	130
12	12012	88	12	12052	102	12	12091	123	12	12135	88	12	12175	130
12	12013	88	12	12053	102	12	12092	123	12	12136	88	12	12176	130
12	12014	88	12	12054	102	12	12093	123	12	12137	88	12	12177	130
12	12015	88	12	12055	102	12	12094	124	12	12138	88	12	12178	131
12	12016	89	12	12056	104	12	12095	124	12	12139	88	12	12179	131
12	12017	89	12	12057	104	12	12096	125	12	12140	88	12	12180	131
12	12018	89	12	12058	104	12	12097	125	12	12141	88	12	12181	131
12	12019	89	12	12059	104	12	12098	126	12	12142	88	12	12182	131
12	12020	90	12	12060	104	12	12099	109	12	12143	88	12	12183	88
12	12021	91	12	12061	104	12	12100	89	12	12144	88	12	12184	88
12	12022	91	12	12062	104	12	12101	89	12	12145	103	12	12185	127
12	12023	92	12	12062	104	12	12102	111	12	12146	103	12	12186	127
12	12024	92	12	12063	104	12	12103	111	12	12147	103	12	12187	127
12	12025	93	12	12064	105	12	12104	111	12	12148	103	12	12188	104
12	12026	93	12	12065	105	12	12105	111	12	12149	103	12	12189	107
12	12027	94	12	12066	106	12	12106	111	12	12150	103	12	12190	107
12	12028	94	12	12067	106	12	12107	111	12	12151	103	12	12191	108
12	12029	95	12	12068	109	12	12108	112	12	12152	103	12	12192	108
12	12030	95	12	12069	109	12	12110	112	12	12153	103	12	12193	108
12	12031	96	12	12070	109	12	12113	113	12	12154	103	12	12194	97
12	12032	99	12	12071	109	12	12114	104	12	12155	103	12	12195	96
12	12033	99	12	12072	109	12	12115	90	12	12156	114	12	12196	98
12	12034	99	12	12073	110	12	12117	110	12	12157	114	12	12197	98
12	12035	100	12	12074	110	12	12118	111	12	12158	114	12	12198	97
12	12036	100	12	12075	110	12	12119	111	12	12159	114	12	12199	99
12	12037	100	12	12076	115	12	12120	111	12	12160	114	12	12200	128
12	12038	100	12	12077	115	12	12121	111	12	12161	114	12	12201	128
12	12039	100	12	12078	115	12	12122	113	12	12162	104	12	12202	129
12	12040	100	12	12079	115	12	12123	113	12	12163	126			

Sk.	Koda	Stran	Sk.	Koda	Stran	Sk.	Koda	Stran	Sk.	Koda	Stran	Sk.	Koda	Stran
Gr.	Code	Page	Gr.	Code	Page	Gr.	Code	Page	Gr.	Code	Page	Gr.	Code	Page
Gr.	Codice	Pagina	Gr.	Codice	Pagina	Gr.	Codice	Pagina	Gr.	Codice	Pagina	Gr.	Codice	Pagina
Gr.	Kode	Seite	Gr.	Kode	Seite	Gr.	Kode	Seite	Gr.	Kode	Seite	Gr.	Kode	Seite
13	13001	132	14	14044	148									
13	13002	132	14	14045	161									
13	13003	132												
13	13004	132												
13	13005	132												
13	13006	132												
14	14001	138												
14	14002A	138												
14	14003A	139												
14	14004A	139												
14	14005	138												
14	14006	140												
14	14007	140												
14	14008	141												
14	14009	141												
14	14010	144												
14	14020	149												
14	14021	149												
14	14022	146												
14	14023	144												
14	14024	145												
14	14025	147												
14	14026	146												
14	14027	148												
14	14028	155												
14	14029	155												
14	14030	156												
14	14031	156												
14	14032	157												
14	14033	157												
14	14034	158												
14	14035	158												
14	14036	159												
14	14037	159												
14	14038	160												
14	14039	160												
14	14040	161												
14	14041	162												
14	14042	145												
14	14043	147												



NOTES:

A series of horizontal blue lines for taking notes, spanning most of the page width.



NOTES:

A series of horizontal blue lines for taking notes, spanning the width of the page.

Worldwide Distributors and Agents

SPAIN

Metal Work Iberica S.A
Pol.Ind. Can Magí,
c./Can Magí, nº 9
08210 Barberá del Vallés (ES)
☎ +34 937 180 244
☎ +34 937 188 070
✉ metalwork@metalwork.es
www.metalwork.es

Rep. of IRELAND

Bay Enterprises (MUNSTER) Ltd.
Unit 4H, Crossagalla ind. estate
Ballysimon Road
V94V674 LIMERICK (IE)
☎ +353 81 603 900
☎ +353 86 817 62 89
✉ brendan@bayenterprises.ie

PORTUGAL

Metal Work Portugal Lda
Estrada Nacional, 1 - P.C.
Emlauro Pav.D, Sobreiro Torio
3850 Albergaria a Velha (PT)
☎ +35 12 34 52 54 25
☎ +35 12 34 52 54 26

CZECH REPUBLIC

Metal Work Pneumatic CZ, s.r.o.
Ostravska 494
73925 SVIADNOV
☎ +420 596 748 577
☎ +420 596 728 010
✉ info@metalwork.cz
www.metalwork.cz

GERMANY

PS-Pneumatikservice GmbH
Scheibenberger Str. 50
D-09481 ELTERLEIN
☎ +49 373 49 979 040
☎ +49 373 49 979 041
✉ info@pneumatik-service.de
www.pneumatik-service.de

Agent

Regine Henrichs-Wanitzek
Büro für Technische
Vertriebsunterstütz Rensdorfstr. 8
27290 NEUNKIRCHEN
☎ +49 2735 600 411
✉ rhw@ccas-moeljat.de

SWITZERLAND

ELWITEC GmbH
Zürcherstrasse 51b
CH-8620 Weizikon
☎ +41 44 933 60 40
☎ +41 44 933 60 44
✉ info@elwitec.ch
www.elwitec.ch

Agent

ITALY
Alessandro Barreita
MILANO (MI)
☎ +39 335 8757 423
☎ +39 0362 582 691
✉ alessandro-barreita@fiscali.it
s. ale.barreita

SLOVENIA

LIPRO d.o.o.
Dekani 20 A
6271 DEKANI (EU)
☎ +386 (0)5 625 13 43
☎ +386 (0)5 625 13 44
✉ info@lpro.si
www.lpro.pro

SLOVAKIA

Dopravník s.r.o.
Slúrova 65
94901 Nitra (SK)
☎ +421 948 958 903
✉ mazu@doopravnik.sk
www.doopravnik.sk

LITHUANIA

Techvitas UAB
Dubysos 66A
94107 Klaipėda (LT)
☎ +370 46 355 494
☎ +370 46 355 493
✉ info@techvitas.lt
www.techvitas.lt

THAILAND

ATP AUTOMATION Co.Ltd.
36/681 Moo 6 Bangtrakpattana
A.Bangbuathog, Nonthaburi.
11110 Thailand BANGKOK
☎ +66 2 920 1153
☎ +66 2 920 1154

VENEZUELA

NEUMATICA ROTONDA C.A.
Prolong Av.Michelen C.C.Alias
Local B-10 yB-11 Valencia,
2001 Edo.Carabobo, Venezuela
☎ +58 241 832 6464
☎ +58 241 832 6283
✉ ventas@neumaticar.com
www.neumaticar.com

BRAZIL

Metal Work Pneumatica do Brasil Matriz.
Rua Otacilio Jacinto Homem 415
93120-590 Sao Leopoldo
☎ +5551 3590 7100
☎ +5551 3590 7111
✉ metalwork@metalwork.com.br
www.metalwork.com.br

TUNISIA

AFAMEC
Av. de l'Environnement
Kalaa Sghira
4021 SOUSSE
☎ +216 73 296 878
☎ +216 73 296 879
✉ afamec@yahoo.fr
www.afamec-tunisie.com

BULGARIA

Ka Matic Ltd.
9N, Kuklensko shose Blvd.
4004 PLOVDIV
☎ +359 32 677 772
☎ +359 32 677 774
✉ info@kamatic.com
www.kamatic.com

ROMANIA

NOVO TECH S.A.
Str. Libertatii nr. 21, Apahida
407035 AP AHIDA, Cluj
☎ +40 264 434 100
☎ +40 264 403 644
✉ office@novotech.ro
www.novotech.ro

HUNGARY

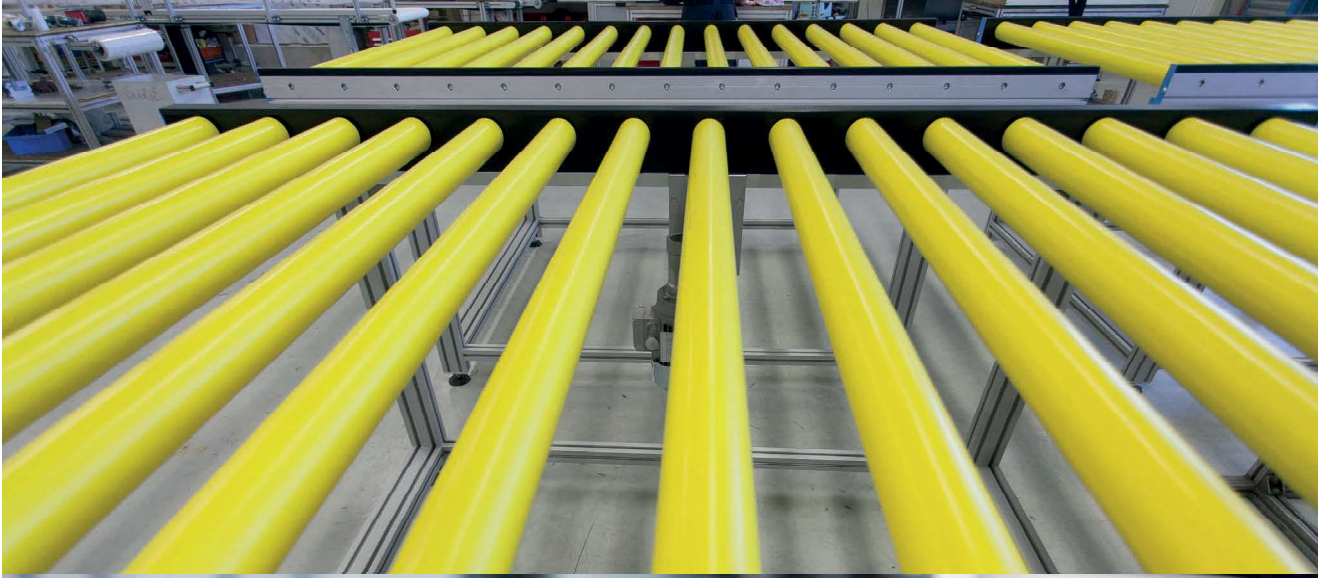
ENTRA-SYS Kft
Fonógyári str. 2
728 SZEGED
☎ +36 62 468 478
☎ +36 62 421 403
✉ entra-sys@entra-sys.hu
www.entra-sys.hu

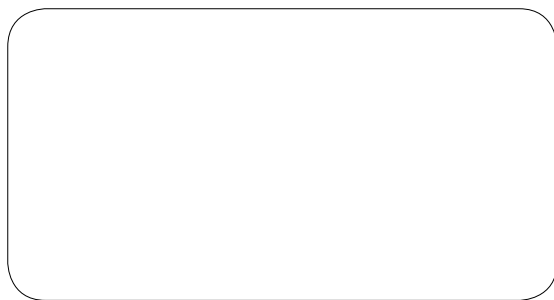
HUNGARY

Program - Transpoft Systems
VFP Systems KFT.
HRSZ 10/75
8440 HEREND (HU)
☎ +36 88 220 146
☎ +36 88 204 542
✉ info@vfpsystems.hu
www.vfpsystems.hu

LIPRO d.o.o.

Modularni Sistem Modular System Sistema strutturale Modularesystem





LIPRO d.o.o.
Dekani 20 A,
6271 Dekani, SLOVENIJA (EU)

+ 386 (0)5 625 13 43

+ 386 (0)5 625 13 44

info@lipro.si

www.lipro.pro